



MEDICAL

626 Barrier-Free[®] Examination Chair



Better care begins with better design



Did you know that nearly half of the adult population in the US has hypertension?¹ That leaves them at higher risk for heart disease. We know how important it is for you to help your patients live their healthiest, happiest lives. That's why capturing an accurate blood pressure (BP) measurement is so important—better BP is better care.



Improving Patient Health **Better BP**[®]

Standardization can be tough. Many healthcare providers have admitted to not following American Heart Association (AHA) recommendations for more accurate BP measurement.²

ACCURATE BP MEASUREMENT ONE OF THE BIGGEST AREAS FOR OPPORTUNITY

- Nearly **1 of every 2** US adults have high BP.¹
- **16%** of Americans are at risk for errors in BP measurement of +/- 5 mmHg, leaving them vulnerable to the effects of missed diagnoses and misdiagnoses, including increased risk of stroke or heart attack and adverse drug reactions.³
- **30 million** Americans would be affected by overestimating true blood pressure by 5 mmHg, leading to inappropriate treatment and unnecessary cost.⁴

COSTS RELATED TO AN IMPROPER BP MEASUREMENT CAN ADD UP QUICKLY.

1,900

Typical number of patients for one physician⁵

\$135,000

Average annual cost of hypertension per practicing physician⁶

\$733

Annual cost of overtreatment for hypertension per patient⁷

ACCURATE PATIENT POSITIONING + SEAMLESS CONNECTIVITY

Midmark designed the first and only fully integrated point of care ecosystem that has been clinically validated to achieve improved accuracy for a resting BP. Connectivity at the point of care allows patient data to be transferred directly into the EMR, further improving the vital signs workflow and eliminating transcription errors.

1. LOW HEIGHT

The 15.5" low seat height helps patients keep their back supported and feet flat on the floor.

2. PROPER ARM PLACEMENT

The articulating arm rail supports the patient's arm with cuff at heart height.

3. VITAL SIGNS

An automated, connected vital signs device promotes consistency and data accuracy.

4. CONNECTED DEVICES

EMR connectivity improves workflow efficiency and helps reduce the likelihood of errors.

5. WORKFLOW EFFICIENCY

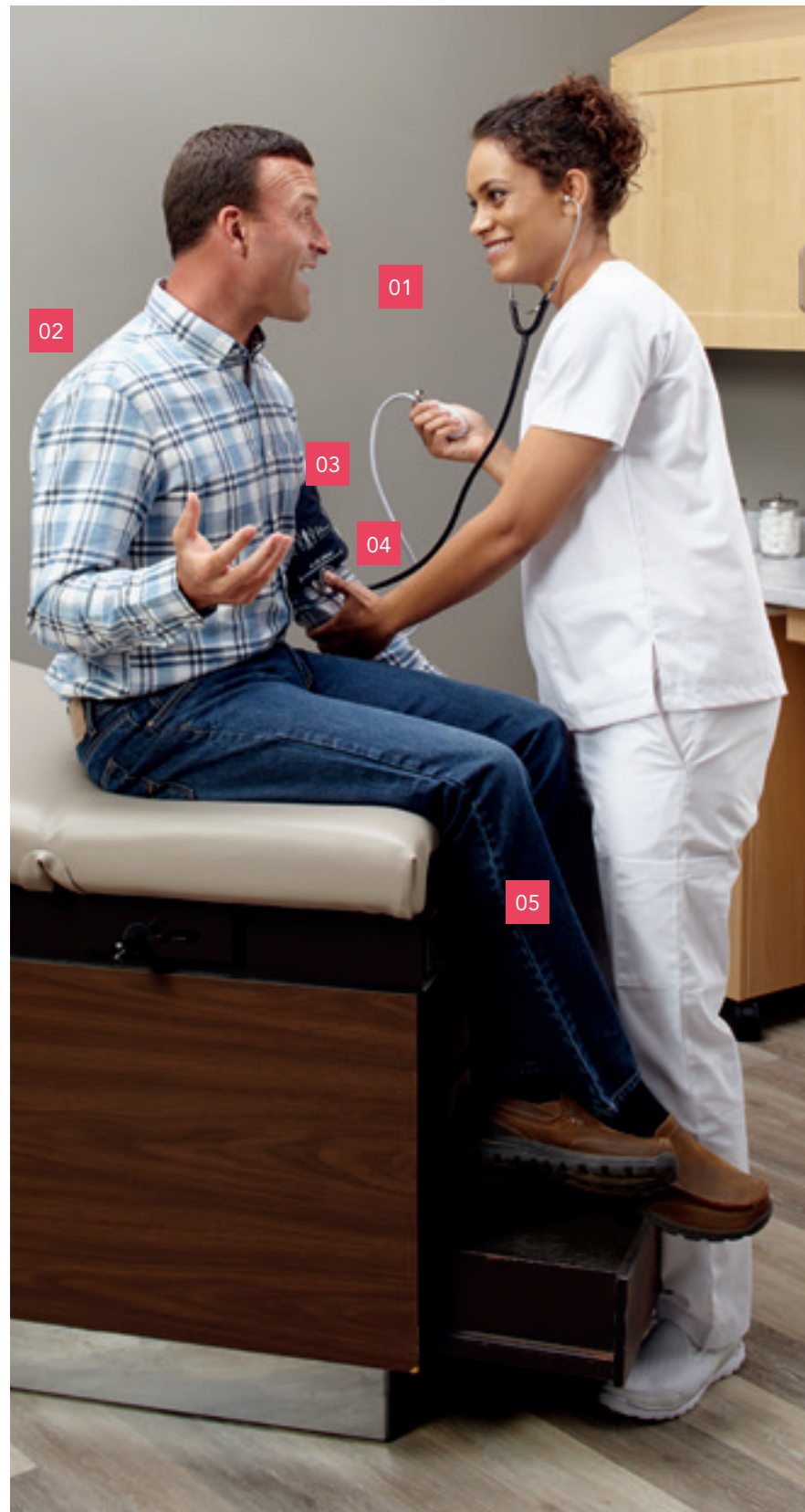
Connect the Midmark vital signs device to the 626 exam chair with integrated digital scale to weigh patients quickly and discreetly from the exam chair, then transfer data to the patient record.

6. UNIFIED INTERFACE

Midmark Connectivity Framework provides a seamless connection between your devices and the EMR. Operate all of your devices from one single pane of glass—the computer screen.



What happens today?



While a patient's position during blood pressure acquisition may seem insignificant, variations in positioning and technique can lead to fluctuations of 5 to 15 mmHg in systolic blood pressure.⁴ Reviews suggest that even a difference of 5 mmHg can affect close to 16% of patients, either inadvertently placing them on medication or missing a diagnosis of hypertension.³

-
- 01 Talking
 - 02 Back not supported
 - 03 Cuff placed over clothing
 - 04 Arm not supported with cuff at heart level
 - 05 Legs crossed and feet not flat on floor

There's a better way.



The good news is new technologies and equipment have been designed to ensure clinical standards for blood pressure capture can be followed across the health system. Midmark has developed a suite of products that are designed to function as a fully integrated, point of care ecosystem to help health systems standardize and promote proper blood pressure capture through improved patient positioning.⁸

-
- 01 Not talking
 - 02 Back supported
 - 03 Cuff placed on bare arm
 - 04 Arm supported with cuff at heart height
 - 05 Legs uncrossed and feet flat on floor

Accessible Design Equal Care for All



Midmark 626
Barrier-Free®
Examination Chair



Help patients help themselves

The Midmark 626 Barrier-Free® Examination Chair is an ideal solution for accessible patient care. Compliant with the 2024 US Access Board Standards for Accessible Medical Diagnostic Equipment,⁹ the Midmark 626 features a low seat height of 15.5 inches, making it easier for patients with mobility challenges to transfer independently. **This chair not only meets but exceeds the Access Board standards for a maximum low seat height of 17 inches, distinguishing itself as the only chair currently on the market to achieve this level of accessibility.**

In addition to its low height, the Midmark 626 provides an adjustable transfer surface, ensuring that caregivers can raise the chair to an ergonomic height, reducing the risk of injury. There is also the option of adding support rails for patient stability, further enhancing safety during transfers. For clinics looking to improve both patient access and caregiver safety, this chair represents a crucial advancement.

SCAN TO
LEARN MORE.





Features

Models + Options

	14.6" Seat Height (Compressed) 15.5" Seat Height (Uncompressed)	Clean Assist Roller System	Active Sensing Technology	Lockout Hand + Foot Controls	Wireless Hand + Foot Controls	Wired Hand + Foot Controls	Heated Upholstery	IQscale	650 lb Weight Capacity	Standard Rail Accessory Receivers	Tamper-Resistant Electrical Receptacles	Drawer Heater + Pelvic Tilt
Midmark												
626-001	•	•	•	•	•	•	•	•	•	•	•	•
626-002	•	•	•	•	•	•	•	•	•	•	•	•
626-003	•	•	•	•	•	•	•	•	•	•	•	•
626-004	•	•	•	•	•	•	•	•	•	•	•	•
626-005	•	•	•	•	•	•	•	•	•	•	•	•
626-006	•	•	•	•	•	•	•	•	•	•	•	•

Optional Features (Available on select models)



DIGITAL SCALE

Capture the patient's weight discreetly from the comfort and security of the exam chair with the integrated digital scale, and transfer data directly into the EMR when paired with a vital signs device.



HEATED UPHOLSTERY

The heated upholstery option provides soothing heat to help relax the patient while on the exam chair.

STANDARD FEATURES



CLEAN ASSIST ROLLER SYSTEM

The retractable roller base allows you to safely move the chair for cleaning.



HAND + FOOT CONTROL

Hand/foot control designed to make patient positioning quick and effective.



STIRRUPS + PELVIC TILT

Helps position patients properly and comfortably for lower body examinations.



ACTIVE SENSING TECHNOLOGY®

Pauses table movement when disrupting impact is detected.



QUICK EXAM® + RETURN TO HOME

Quick Exam elevates the chair to the exam position. Return to Home returns the chair to its home position.



ACCESSORY RECEIVERS

Standard receivers allow for the integration of accessories without the use of tools.



TAMPER-RESISTANT RECEPTACLES

Receptacles on both sides of the chair provide a power connection for devices.



PREMIUM COMFORT SYSTEM®

Elastomeric material stretched over a seat cutout for a chair-like feel.



DRAWER HEATER

Point of care storage with the option to warm supplies used for lower-body examinations.



Back down

Stop

LOCKOUT OF HAND + FOOT CONTROLS

Prevent unintended movement of the chair when staff is away by using the lockout feature. Simply press and hold the Stop and Back Down buttons simultaneously.



Accessories

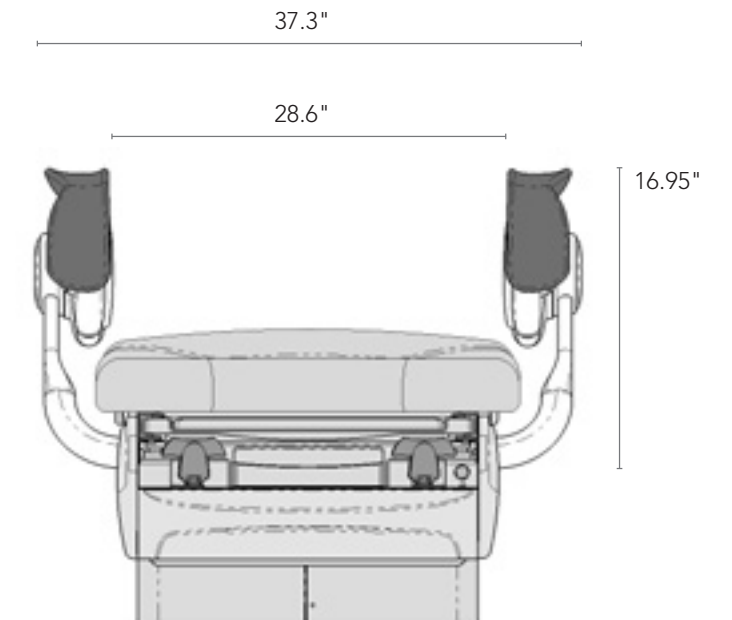
Accessories help
add **versatility +
function** to your
exam chair



ACCESSORIES



PATIENT SUPPORT RAILS+
Help achieve proper positioning
of the patient's arm for blood
pressure capture.



Patient Support Rails+ Dimensions



PATIENT SUPPORT RAILS
Provide patients with a 1¼ inch
diameter continuous gripping surface
for entering, exiting or repositioning
on the exam table.



WIRELESS CONTROLS
Locate the hand and foot control
anywhere in the room, removing cords
and eliminating obstacles.



ARTICULATING KNEE CRUTCHES
The unique ball-socket design allows for a
maximum range of adjustment, designed
to ensure optimum knee and leg support.
Available in a non-articulating option.



RITTER® 253 LED LIGHT
The 253 is designed with easy access
controls, high intensity light and an
adjustable focal spot. Available in
chair mount and mobile options.



STAINLESS STEEL TREATMENT PAN
Ideal for lower-body procedures or
other situations in which removal of
fluid and debris is necessary.

COLOR OPTIONS

STANDARD UPHOLSTERY COLORS

	Mist 813
	Stone 814
	Restful Path 858
	Iron Ore 851
	Lunar Gray 845
	Obsidian 857
	Oasis 843
	Soothing Blue 855
	Dream 847
	Mineral 844
	Healing Waters 848
	Shaded Garden 853
	Citrus 849
	Sandy Retreat 850
	Curative Copper 846
	Cranberry 859
	Dark Linen 856
	Latte 860
	Robust Brown 852
	Deep Earth 854

ULTRAFREE UPHOLSTERY COLORS

	UltraFree Stone 865
	UltraFree Restful Path 868
	UltraFree Obsidian 867
	UltraFree Harbor 861
	UltraFree Wheatgrass 862
	UltraFree Spice 863
	UltraFree Cranberry 869
	UltraFree Dark Linen 866
	UltraFree Latte 870
	UltraFree Branch 864

SERVICES + SUPPORT

TECHNICAL SPECIFICATIONS

View technical specifications for the Midmark 626 Barrier-Free® Examination Chair.



SCAN TO VIEW SPECS.

CLINICAL EDUCATION

Trust in our expert educators to assist in implementing your Midmark devices.



SCAN FOR TRAINING OPTIONS.

CONTACT US

Curious about our products and services or have a general inquiry? We're here to help. Tell us how to contact you and we'll be in touch with more details. .



SCAN TO VIEW.

MIDMARK LIVE DESIGN

Our in-house design experts are ready to help you every step of the way.



SCAN TO VIEW VIDEO.

REPAIR + SERVICE

Explore available support and service plans so you can obtain the level of coverage you need to keep your medical equipment and devices operational. This includes periodic maintenance and periodic inspection plans, as well as extended warranty plans.



SCAN FOR SUPPORT.

MIDMARK DELIVERY SERVICES

Coordination, delivery and setup right on time, every time.



SCAN TO VIEW YOUR OPTIONS.

SOURCES

01 <https://www.cdc.gov/nchs/fastats/leading-causes-of-death.htm>

02 <https://www.aafp.org/afp/2005/1001/p1391.html>

03 Calculated by 50,000,000 affected* / 307,000,000 US 2009 population** Data from: *<https://www.ncbi.nlm.nih.gov/pmc/articles/PMC2911816/> and **[Census.gov](https://www.census.gov)

04 <https://www.ncbi.nlm.nih.gov/pmc/articles/PMC2911816/>

05 Panel size sourced from Journal of the American Board of Family Medicine July - August 2016; Vol. 29, No. 4

06 $\$733 \times (9.8\% \text{ of } 1,900) = \sim\$135,000$, where 1) $\$733$ = cost of overtreatment per patient. Cost data from Agency for Healthcare Research and Quality (AHRQ). Article: "Expenditures for Hypertension Among Adults Age 18 and Older, 2010: Estimates for the U.S. Civilian Noninstitutionalized Population". Includes cost of ambulatory visit and prescription (payer is either the patient, insurance company or ACO), 2) 9.8% = percentage of population affected by overestimation of high blood pressure errors, calculated by 30,000,000 affected by overestimation* / 307,000,000 the 2009 US population count**. Data from *<https://www.ncbi.nlm.nih.gov/pmc/articles/PMC2911816/> and **[Census.gov](https://www.census.gov), and 3) 1,900 = typical patient panel size per physician. Panel size sourced from Journal of the American Board of Family Medicine, July-August 2016; Vol. 29, No. 4

07 Cost data from Agency for Healthcare Research and Quality (AHRQ). Article: "Expenditures for Hypertension among adults age 18 and Older, 2010: Estimates for the U.S. Civilian Noninstitutionalized Population"

08 <https://www.aafp.org/pubs/afp/issues/2005/1001/p1391.html>

09 <https://www.federalregister.gov/documents/2024/07/25/2024-16266/standards-for-accessible-medical-diagnostic-equipment>



Designing better care.®



USGBC
MEMBER

CARB 93120.2 Phase 2 Compliant and TSCA Title VI Compliant

The color examples shown are the best representation of the original material. Actual color may vary slightly. We strongly recommend that you contact Midmark Customer Experience at 1.800.MIDMARK to request a sample before placing your order.

USGBC® and the related logo are trademarks owned by the U.S. Green Building Council® and are used with permission.

Midmark is an ISO 13485 and ISO 9001 Certified Company. Certain products are not included. See the complete list at: midmark.com/ISO

For more information, contact your authorized Midmark distributor or call: 1.800.MIDMARK
Outside the USA call: 1.937.526.3662 or visit our website: midmark.com

© 2024 Midmark Corporation, Versailles, Ohio USA
Products subject to improvement changes without notice.

007-10267-00 Rev. B1 (11/24)

