

SPECIFICATIONS

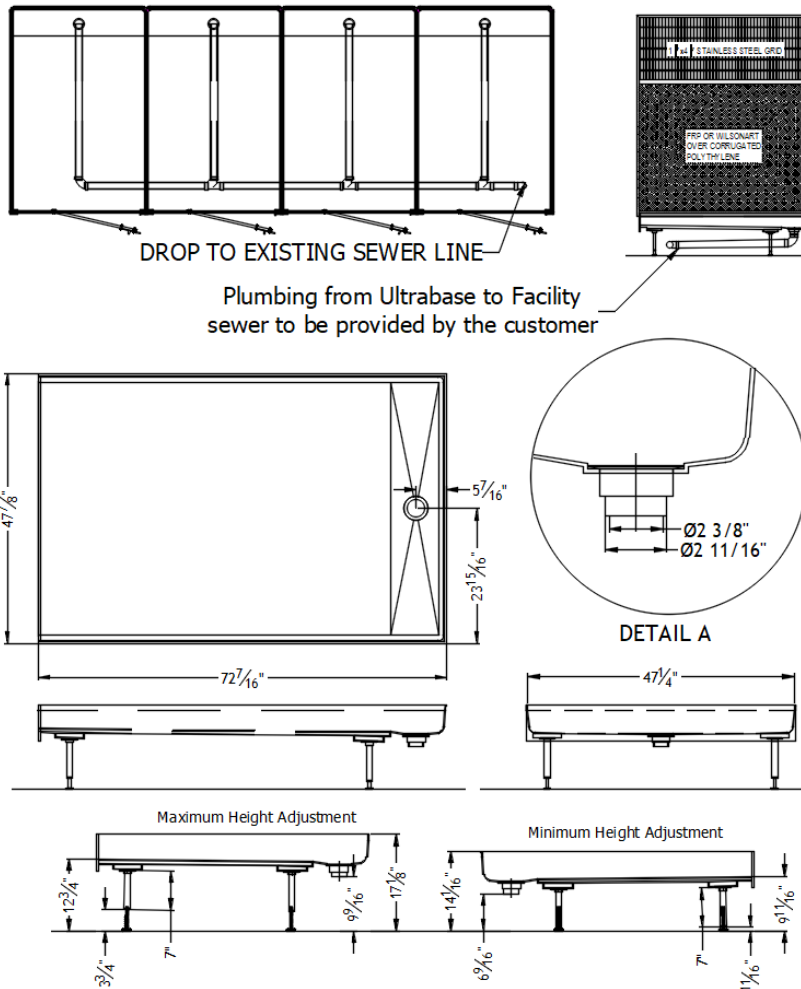
ULTRABASE – PLUMBING

DETAILS



- Midmark does not supply plumbing from drain connection to facility sewer.

*Minimum $\frac{1}{8}$ " Drop per foot on plumbing
 Six 4ft. Ultrabases (3 on each side) or eight 3ft.
 Ultrabases (4 on each side) per floor drain



*All measurements are for reference purposes only.

NOTE:
 All dimensions
 are $\pm 1/8$ "