

SPECIFICATIONS

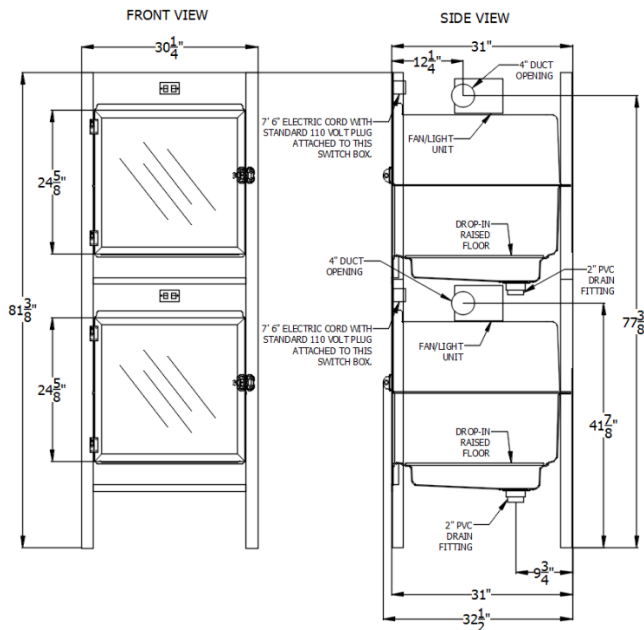
SMALL ISO-CARE



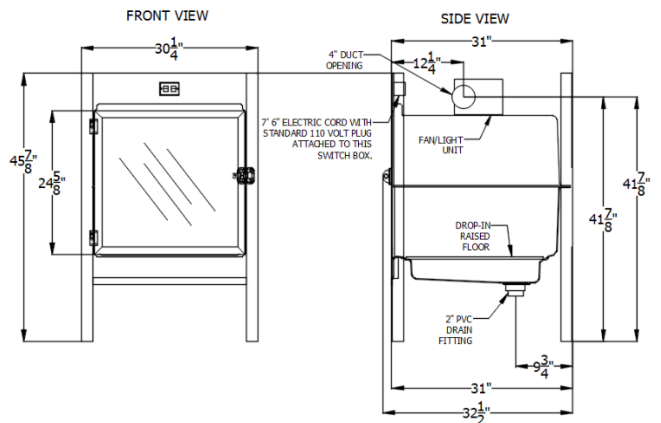
Options:

- Standard Left Hinge Doors
- Available in Single or Double Stack configurations

30 1/4" x 31" Double Stack
Iso-Care Unit



30 1/4" x 31" Single Stack
Iso-Care Unit



Fan Specifications:

- Housing Dimensions: 8"x8 1/4" x5 3/4" high
- 50 CFM, 2.5 Sones, Static Pressure 0.10
- 100-WATT, Incandescent Light Bulb - Type IC
- Plug-in, permanently lubricated motor
- UL Listed for use over bathtubs and showers (When connected to a GFCI protected branch circuit)
- Requires 15 AMP circuit

NOTE:

All dimensions
are ± 1/8"

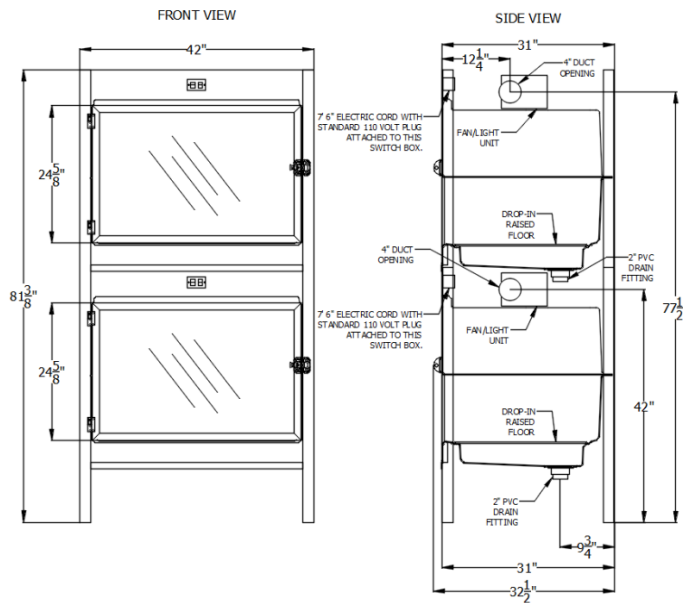
SPECIFICATIONS LARGE ISO-CARE



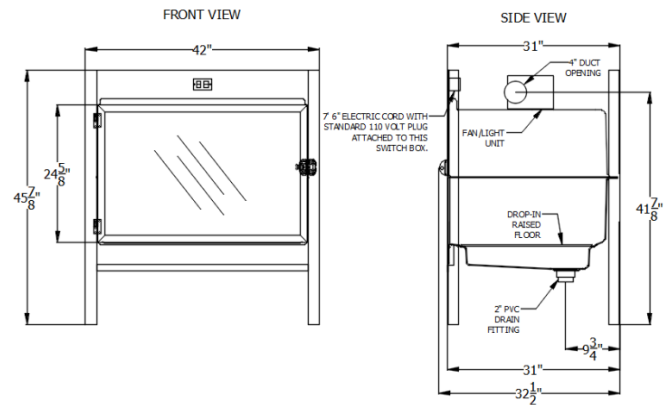
Options:

- Standard Left Hinge Doors
- Available in Single or Double Stack configurations

42" x 31" Double Stack Iso-Care Unit



42" x 31" Single Stack Iso-Care Unit



Fan Specifications:

- Housing Dimensions: 8"x8 1/4" x5 3/4" high
- 50 CFM, 2.5 Sones, Static Pressure 0.10
- 100-WATT, Incandescent Light Bulb - Type IC
- Plug-in, permanently lubricated motor
- UL Listed for use over bathtubs and showers (When connected to a GFCI protected branch circuit)
- Requires 15 AMP circuit

NOTE:

All dimensions
are ± 1/8"