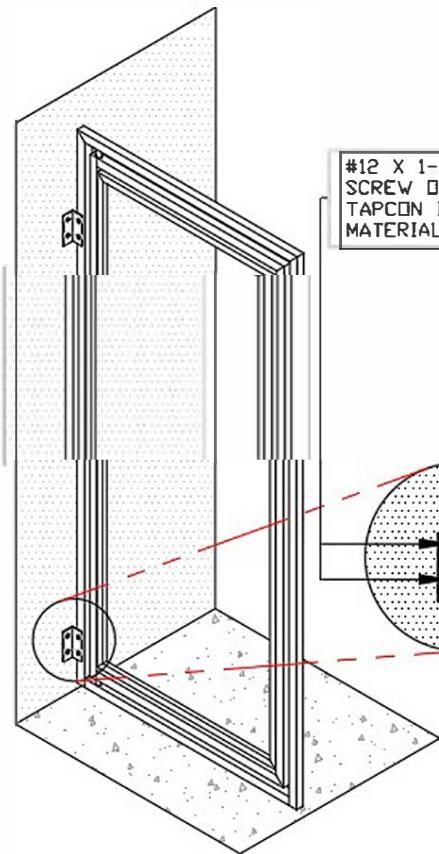
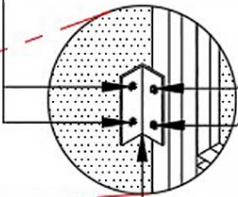


# WALL SCREWS AND ANCHORS NOT PROVIDED BY MIDMARK

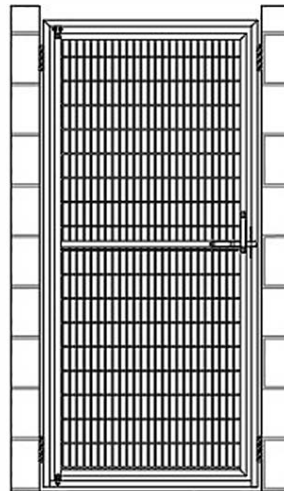
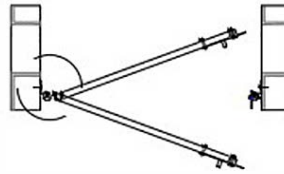


#12 X 1-1/2" HEX HEAD SCREW OR #12 X 1-1/2" TAPCON DEPENDING ON WALL MATERIAL (NOT SUPPLIED)

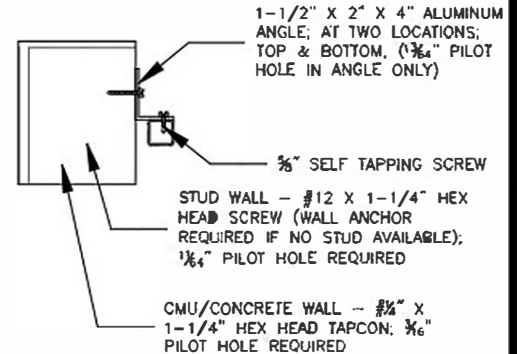
#10 X 5/8" TEK-SCREW



ALUMINUM ANGLE SPACED EVENLY FROM TOP AND BOTTOM OF GATE



## APPLICABLE BOTH SIDES OF FRAMEWORK



1. FRONT SHOULD BE SQUARE AND LEVEL IN OPENING AT DESIRED PLACEMENT LOCATION.
2. ATTACH ALUMINUM ANGLE TO WALL, AGAINST OUTSIDE OF FRAME AS SHOWN IN DIAGRAM USING TWO FASTENERS AS SPECIFIED PER ANGLE.
3. ATTACH FRAME TO ANGLE USING TWO 5/8" SELF TAPPING SCREWS PER ANGLE.

midmark® MASON

Designing better care.

280 Depot Street  
Leesburg, OH 45135  
Phone: (800) 643-6275  
Fax: (937) 780-6338  
Website: www.mesonco.com  
Email: Leesburg@midmark.com

Author: S. Kouns | Title A

Project: Installation Instruction

0.25"x0.25" Form 212 - Wall Mounted  
Stainless Steel Gate

Dated: 12/7/2022 Scale: N/A Rev: A

Internal Use Only

Drawing is property of Midmark Corporation. All Rights Reserved.  
No other use granted or authorized. Duplication or distribution is prohibited.

File Name: Wall Mount\_SS Gate\_Install.dwg

Path: FileManagement\FileManagement\FORMS\212\Suppo Wall Mount\_SS Gate\_Install.dwg