



Installation Instructions for Wall Mounted Kenl-Dor

Introduction

Thank you for your investment in Mason kennels. We take great pride in providing our customers with the highest quality animal enclosures, combined with an enjoyable ordering experience. The following instructions will assist you with the proper assembly, cleaning, and maintenance of your Mason kennels. It is important to follow these guidelines in order to receive the best results and maximum life from your investment.

Assembly

The following pages will show you how to assemble your new Mason equipment. Since every order is custom built to your specifications, the instructions are designed to show the typical method used to assemble your Mason kennels and some of the demonstrations may not apply to your order.

Hardware

Depending on your Kennel project, you may have some or all the following hardware:

Part #	Description	Part #	Description
6726	Wall Mounted Pulley Assembly	1378	#12 x 1-1/4" Hex Head Screw
6724	Gate Mounted Pulley Assembly	3574	#12 x 3/4" TEKS Screw
2222	#10 x 5/8" TEKS Screw	368	1/4-20 x 1-1/4" Hex Head Bolt
1344	1/4"-20 x 1-1/4" Tapcon	421	1/4"-20 Nyloc Nut
1359	#10-24 x 3/8" Pan Head Phillips Screw	4676	3/32" Stainless Steel Cable
905	U-Bolt Cable Clamp		

Note: Wall mounting hardware is shown only for reference purposes and is not included

Installation

Required Installation Tooling:

- Hammer
- Ratchet Wrench
- 7/16" Combination Wrench
- 5/32" Drill Bit
- Denatured Alcohol
- Drill (Cordless)
- 5/16" Socket
- 1/2" Combination Wrench
- #2 Phillips Bit
- Shop Rags

Optional Tools

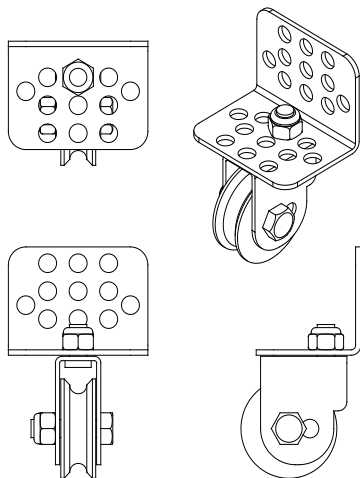
- Vise-Grips
- Marker
- WD40 or other thread lubricant

Section A

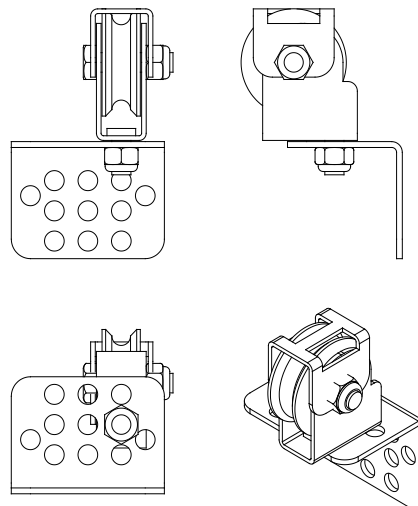
Bracket Identification

Depending on the type of Kenl-Dor purchased, you may have multiple types of pulley brackets sent with your order. Panels with Kenl-Dors should be have pulleys pre-attached, however you will need to mount the brackets to your building wall and gates/stall fronts. The details below show the differences between the pulley brackets used when attaching to a wall or to a gate. When attaching to a building wall, be sure that pulley is **centered** over the cable, as this will affect how well your door travels within the track.

Wall Mounted-#6726



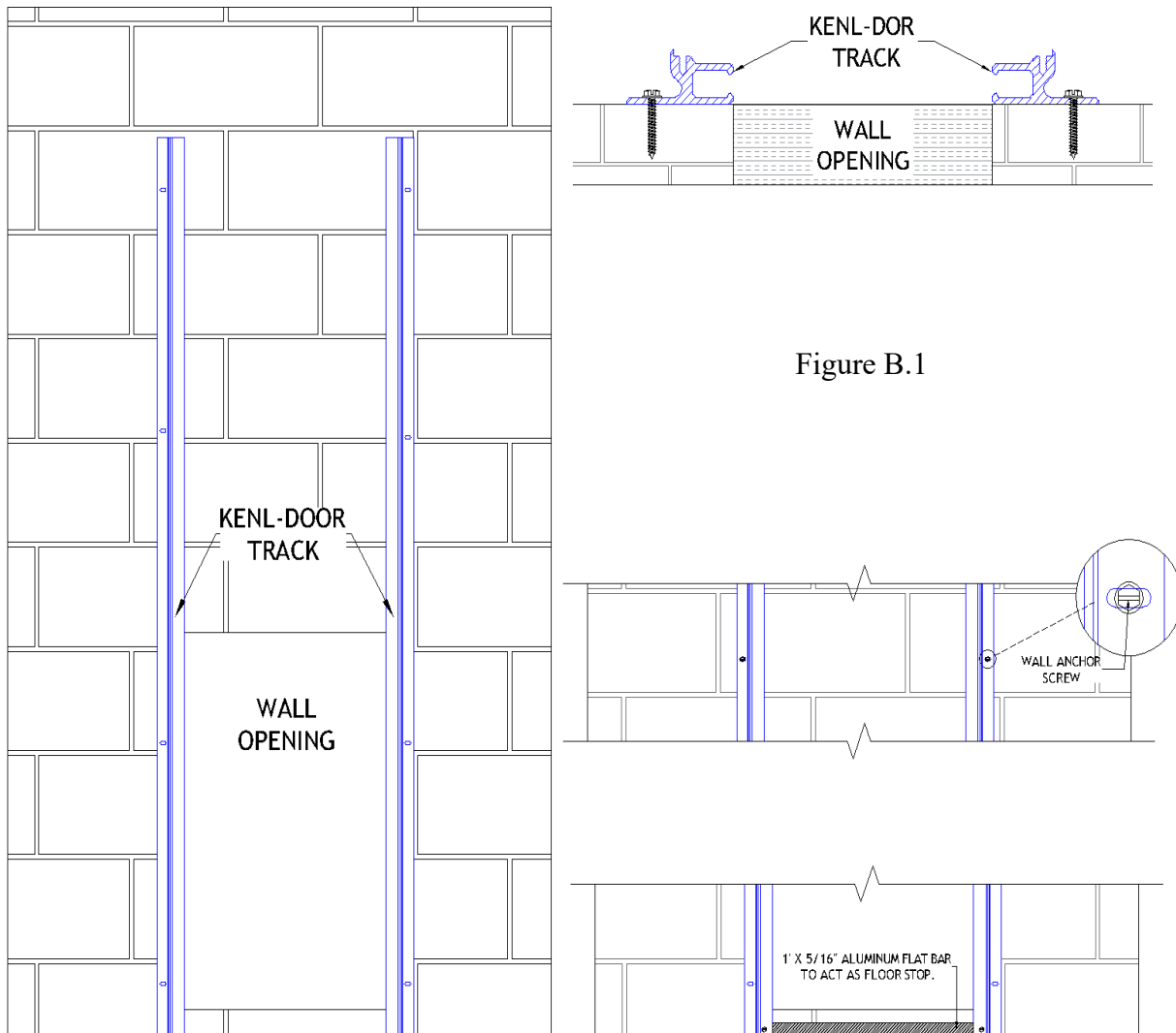
Gate Mounted-#6724



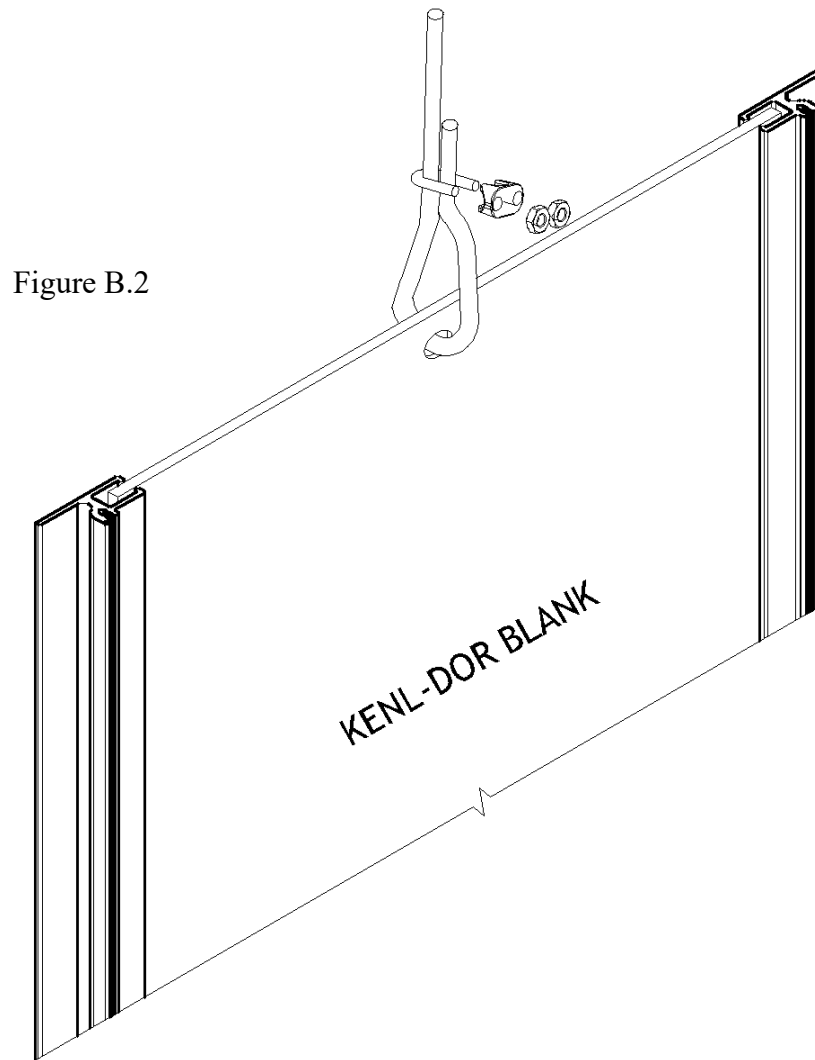
Section B

Installation of Wall Mounted Kenl-Dor

1. Place Kenl-Dor Track against edges of wall openings. See Figure B.1 for reference. Use the door blank if needed as a guide to ensure proper spacing between the tracks. The opening should be centered between the tracks.
2. Once Kenl-Dor Tracks are in place, anchor your tracks to the building wall. Leave roughly 1/16" to 1/8" of play between the tracks and kennel door.
 - a. If attaching to concrete or block walls, drill a 3/16" pilot hole and use 1/4" x 1-1/4" Tapcons (Not provided). For stud walls, drill a 1/8" pilot hole and use #12 x 1-1/2" hex head screws, and wall anchors (Not provided). Do not overtighten screws, as tracks may warp due to irregularities in wall. Shimming may be necessary in some cases.



3. Insert and pin the 1" tall piece of aluminum flat stock at the bottom of your Kenl-Dor track if desired, see figure B.1. Mason Company recommends this as it prevents the door blank from contacting your floor, which can cause damage over time.
4. Thread $\frac{3}{32}$ " Cable through the hole at the top of the door blank and use the cable clamps provided to secure the loose end of the cable to the cable above the door blank. See Figure B.2. When clamping, cable end should be as close to flush with the cable clamp as possible.



5. If installing cable guards, place guard between raised flanges on the face of the Kenl-Dor track. Using the pre-drilled holes, pin the cable guard to the track using the #10 x $\frac{3}{8}$ " phillips head screws. See figure B.3 The holes should line up with the channel that runs down the face of the track.

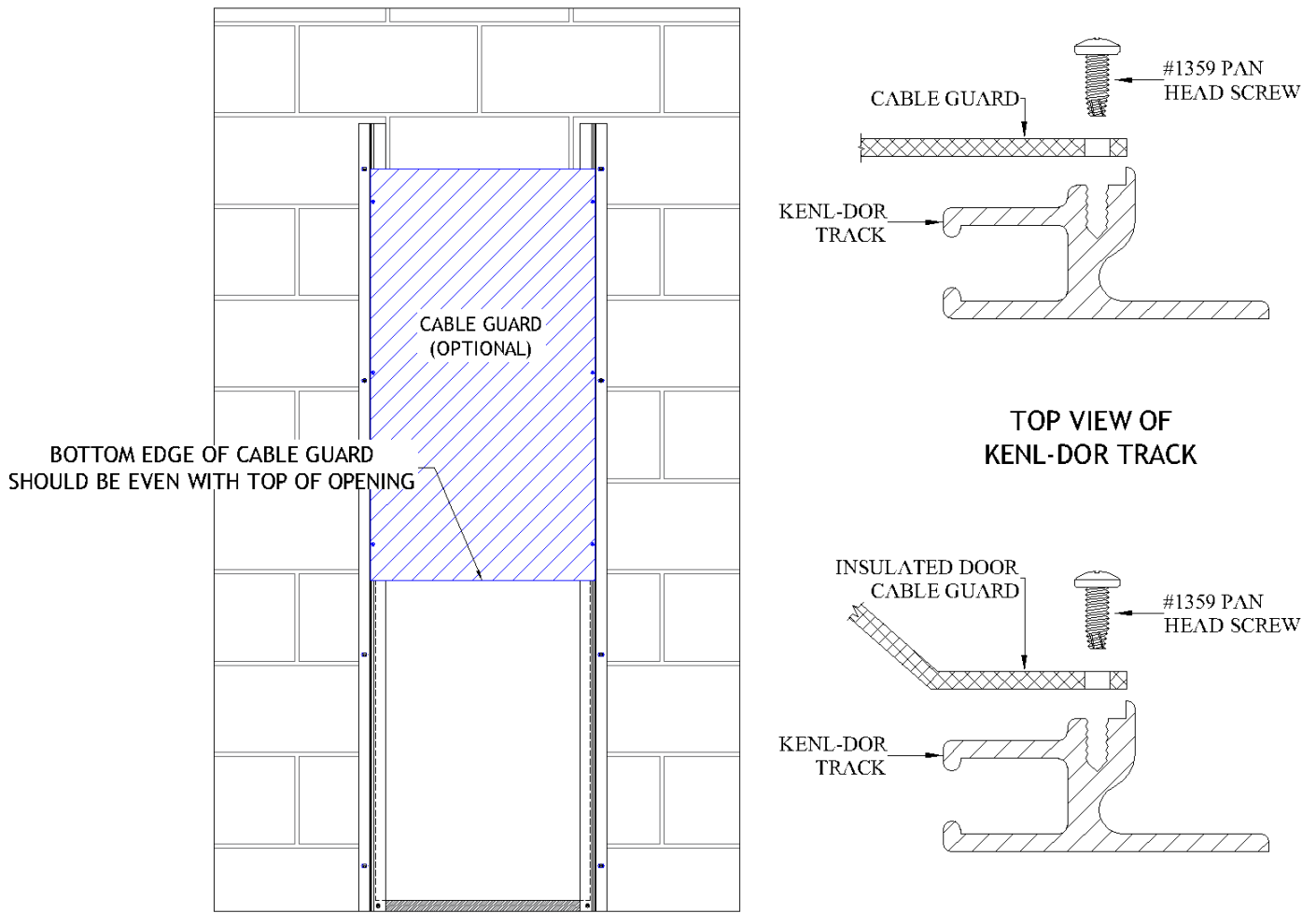


Figure B.3

6. Repeat steps until all Kenl-Dors are installed.

Section C

Installation of Wall Mounted Pulley Bracket

Follow these steps after your kenl-dor has been installed against your wall.

1. Attach the pulley bracket (#6726) to the building wall above the kenl-dor using (2) #12 x 1-1/2" Hex Head Screw or 1/4"-20 x 1-1/4" Tapcon (Not provided), depending on your wall material. The bracket should be approximately 4-6" above the track, but can be higher if needed. If a cable guard is being used, be sure that the pulley bracket is high enough that the cable does not rub the cable guard as this may damage your equipment. See Figure C.1.

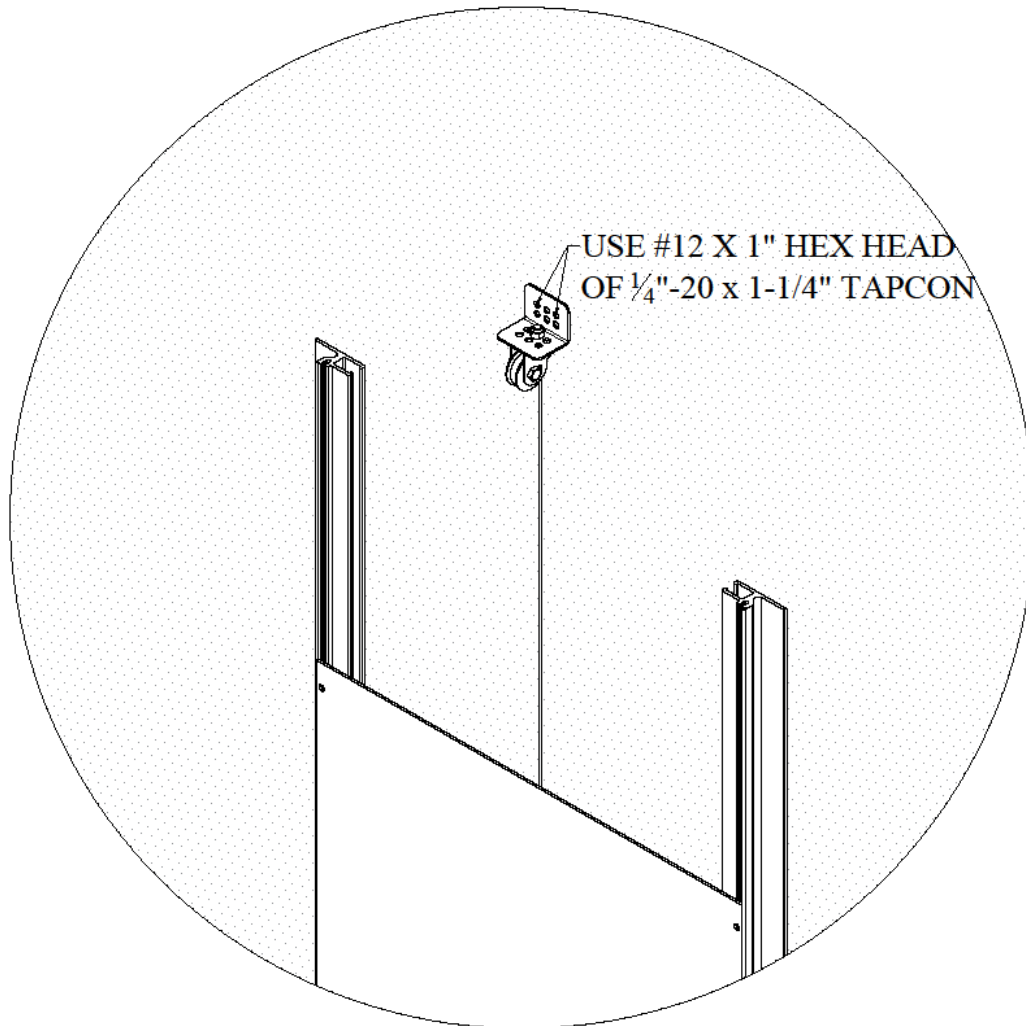


Figure C.1

Section D

Installation of Stainless Gate Mounted Pulley Bracket

1. The pulley brackets used at the front of your kennels will be installed upside down from the ones attached above the kenl-dor. Begin by placing the bottom of the bracket (#6724) flush with the bottom of the uppermost frame. When against the frame, the bracket should hang over the top of the gate. See figure D.2

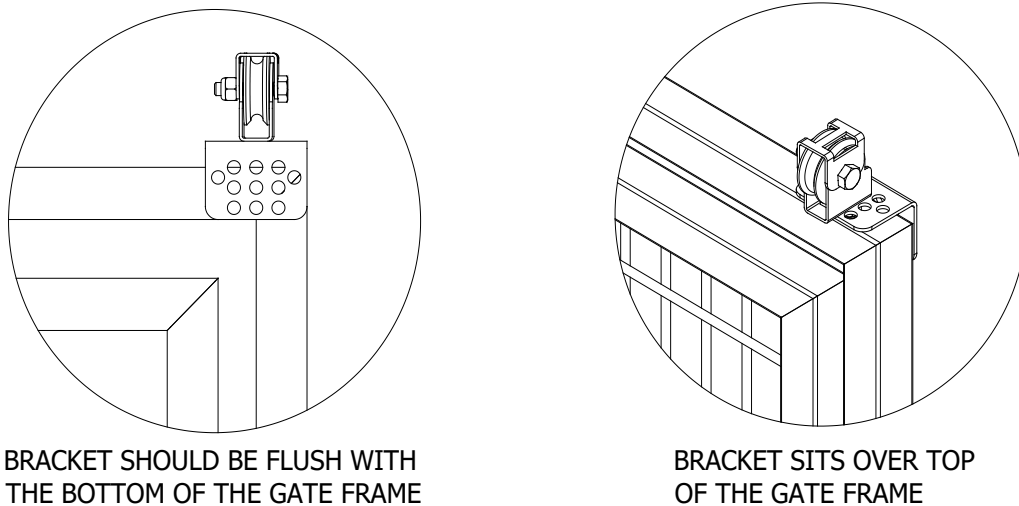


Figure D.2

2. Once the bracket is in the location desired, mark the lower, outer two holes. Using a 5/32 drill bit, use the marks to drill pilot holes through the back side of the gate frame only.
3. Once the holes have been drilled, attach the pulley bracket to the gate frame using the #12 x 3/4" TEKS screws (#4138) provided.

Section E

Installation of Chain Link Mounted Pulley Bracket

1. The pulley brackets used at the front of your kennels will be installed upside down from the ones attached above the kenl-dor. Align the bracket with the holes that have been pre-drilled into the gate frames.

2. Once aligned, attach the pulley bracket to the gate frame using the 1/4"-20 x 1-1/4" hex head bolt (#369) and 1/4"-20 Nyloc nuts (#421) provided. See figure E.1.

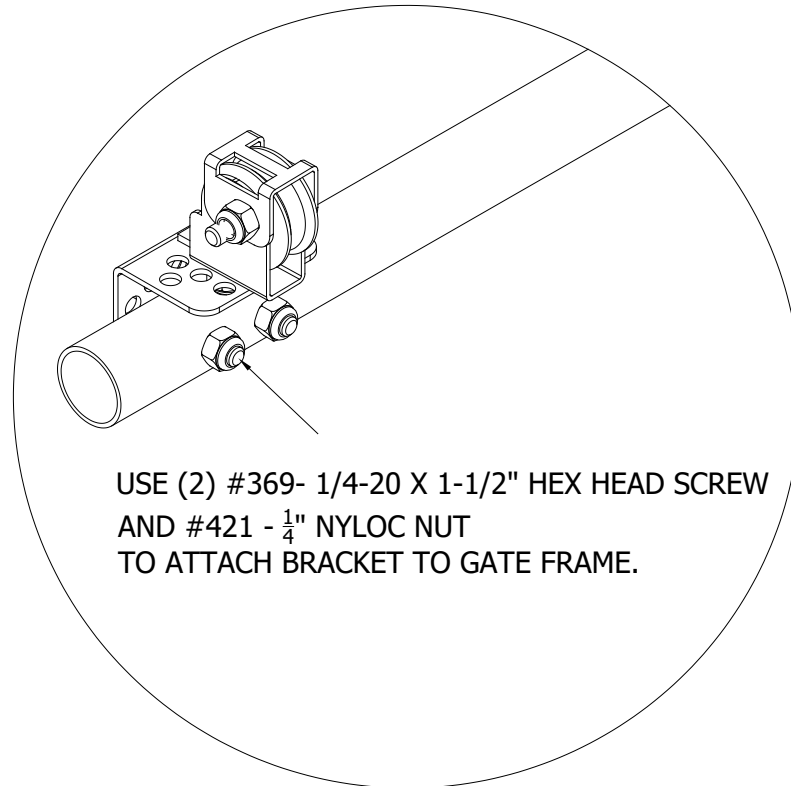


Figure E.1

Section F

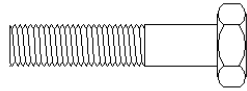
Installation of Pulley Cable

1. Once all pulley brackets have been installed, begin running the cable from your kenl-dor blank using the pre-drilled hole provided. Use a cable ferrule or cable clamp to clamp the tie the cable around the door blank.
2. After your cable has been secured at the blank, run the cable through the back side of the pulley and over. Run the pulley through the back of the pulley located at the gate, and return down in front of your gate.
3. Using the same method done in step 1, tie the cable off to the S-Hook or Weight Assist Handle. You should now be able to operate your kenl-dor.

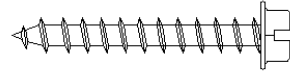
Section G

Maintenance

Over time, your Mason kennel might require adjustments, lubrication, or replacement parts in order to remain in top working condition. We recommend a yearly maintenance schedule to lubricate door hinges, adjust gate locks and any other moving parts. If your equipment should need any replacement parts, please contact our customer service department and they will be happy to assist you. The pulley brackets described in the instructions above, have parts that can be replaced individually but can also be ordered as a complete assembly.



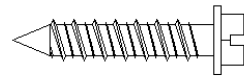
#368 - 1/4" x 1-1/4" Hex Head Bolt



#1378 - #12 x 1-1/4" Hex Head Screw



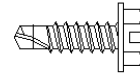
#421 - 1/4" Nyloc Nut



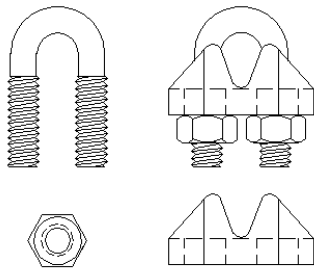
#1344 - 1/4" x 1-1/4" Tapcon



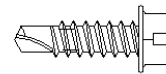
#1359 - #10 x 3/8" Pan Head Phillips Screw



#2222 - #10 x 5/8" TEKS Screw



#905 - Cable Clamp



#3574 - #12 x 3/4" TEKS Screw