



## Installation Instructions for Against the Wall FRP Sani- Kennel

### Introduction

Thank you very much for your investment in Mason kennels. At Mason we take great pride in providing our customers with the highest quality animal enclosures combined with an enjoyable ordering experience. The following instructions will assist you with proper assembly, cleaning, and maintenance of your Mason kennels. It is important to follow these guidelines in order to receive the best results and maximum life from your investment.

#### Assembly

The following pages will show you how to assemble your new Mason kennel. Since every order is custom built to your specifications, the instructions are designed to show the various methods used to assemble our kennels and some of the demonstrations may not apply to your order. Be sure to use the enclosed scale drawings at the end of this document of the provided hardware to ensure proper identification and usage.

#### Hardware

Depending on your Kennel project you may have some or all of the following hardware:

<b>Part #</b>	<b>Description</b>	<b>Part #</b>	<b>Description</b>
2222	#10-32 x 5/8" TEK screw(s)	8081	Triple SS clamp(s) -1" (w/stainless steel gate option)
1955	5/16" x 1-1/2" carriage bolt(s)	8082	Double SS clamp(s) -1" (w/stainless steel gate option)
356	5/16" x 1-1/2" carriage bolt(s)	8083	Single SS clamp(s) -1" (w/stainless steel gate option)
1771	5/16" x 1- 3/4" carriage bolt(s)	330	Panel Clamp (w/Chain link Gate option)
357	5/16" x 1-3/4" carriage bolt(s)		
424	5/16" – 18 SS nut		
423	5/16" -18 nut		
369	1/4"-20 x 1-1/2" hex head bolt (w/Stainless Steel Gate option)	328	Triple Clamp (w/Chain link Gate option)
422	1/4" -20 hex nut	3118	Single Clamp -1" (w/Stainless Steel Gate Option)
1400	1/4" x 1-1/2" Rawl Spike(s) (anchored systems only)	3119	Double Clamp -1" (w/Stainless Steel Gate option)
2449	Sealant	3120	Triple Clamp -1" (w/Stainless Steel Gate option)
1071	Special pulleys (w/Kennel Door option)		Tie Plate(s) 1-1/2" x length of panel
			"Sanislope T"

**Note: Wall mounting hardware is shown only for reference purposes and is not included**

## **Installation**

### **Required installation tooling:**

- Level (4' preferred)
- 1/2" Combination wrench
- 7/16" Combination wrench
- Hammer
- Hammer drill (anchored systems only)
- 1/4" Masonry bit (anchored systems only)
- 5/16" drill bit (anchored systems only)
- #2 Phillips bit (2-3)
- Caulk gun
- Variable Speed Drill (cordless preferred)
- 11/64" drill bit
- Tape measure
- Chalk line
- Denatured alcohol
- Shop rags
- 5/16" Nut driver bit

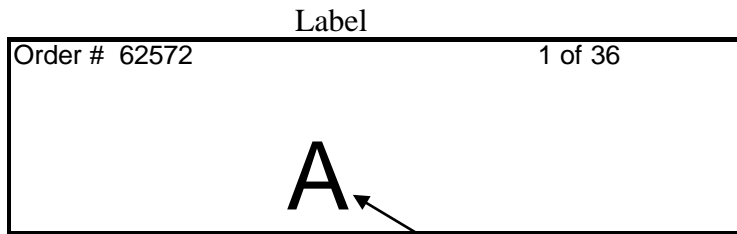
### **Optional tools**

- Visegrips – 8" locking C-clamps (3 pair recommended)
- WD40 or other thread lubricant

## **Section A Panel Identification**

Refer to the floor plan supplied.

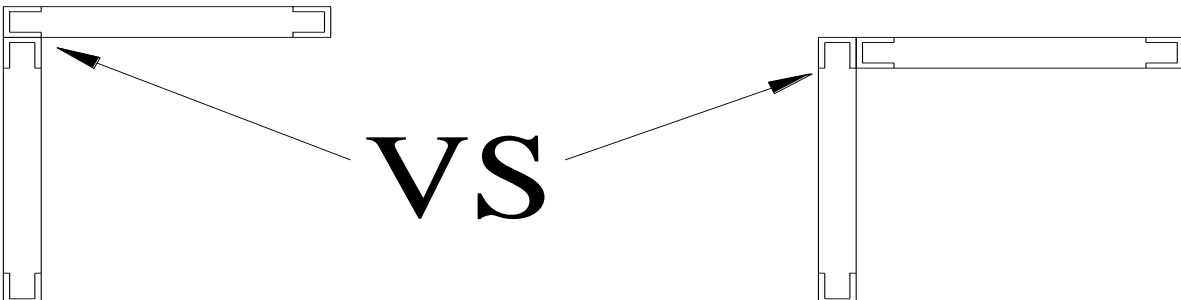
Depending on the nature of your Kennel Project you will have either letter and or number designations on the tag(s) wired to the top of the panel as shown in Figure 1.



Letter / Number designation

**Figure 1**

Each connection point of the panels should be aligned as shown on the floor plan. Note the difference in the alignment of the two panel connections shown in Figure 2. It will make a difference as to how your runs go together if you do not align the panels properly and in some cases they may not go together at all.

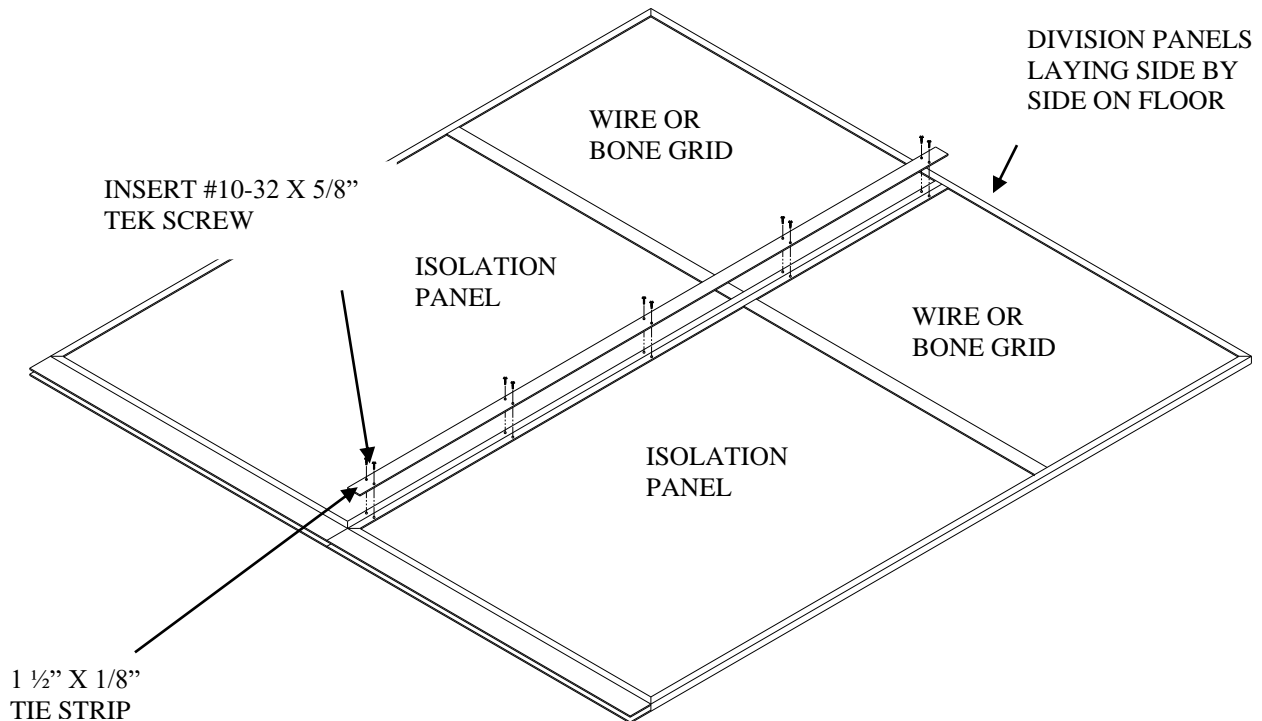


**Figure 2**

**Section B  
Panel Assembly and Floor Layout Preparation**

Sometimes the length or layout of the division panels in a kennel requires that they be made up from multiple panels. Each of the multiple panel assemblies must be connected before assembling the runs. Referring to the Floor Plan and using the Panel Identification Tag as described in Section A, make all multi-division panel connections that are in line with one another using the following steps:

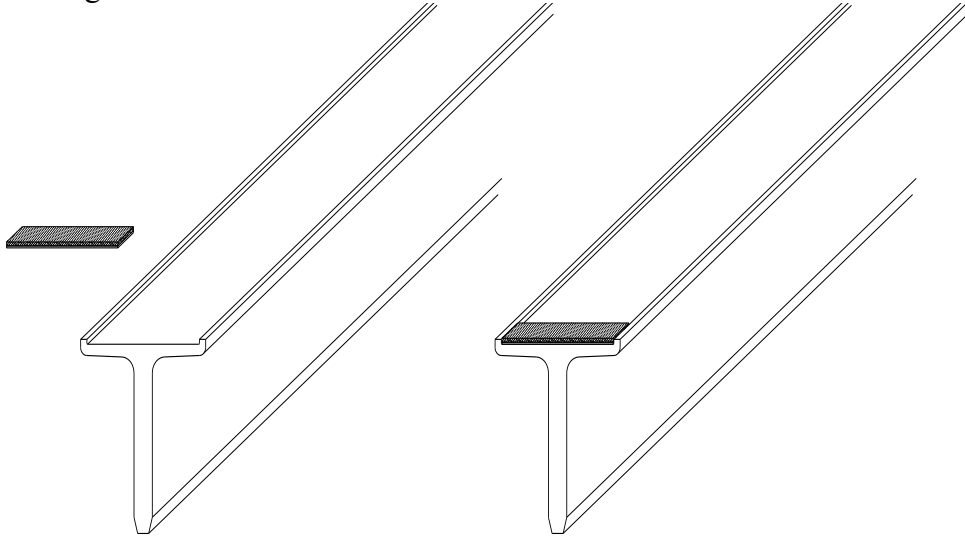
1. Lay the two panels to be connected on the floor so that they are oriented correctly per the Floor Plan and or "Panel Identification".
2. Align the top surfaces and pull the mating edges together tightly. Center the "tie plate" over the seam between the two panels as shown in Figure 3. The tie plate can be applied to either side of the panels but for appearance sake you may want to apply them consistently to the same side. Hold the panels and the tie plate so that they are flush at the top edge of the division panels and tightly pulled together.
3. Using the tie plate as a template, drill an 11/64" hole approximately 5/8" into the panels (not all the way through) at each hole in the tie plate.
4. Using the #10-32 x 5/8" TEK screws provided, connect the panels by applying a screw in every hole drilled in step B-3.
5. Repeat steps B-1 through B-4 for all inline division panels.



**Figure 3**

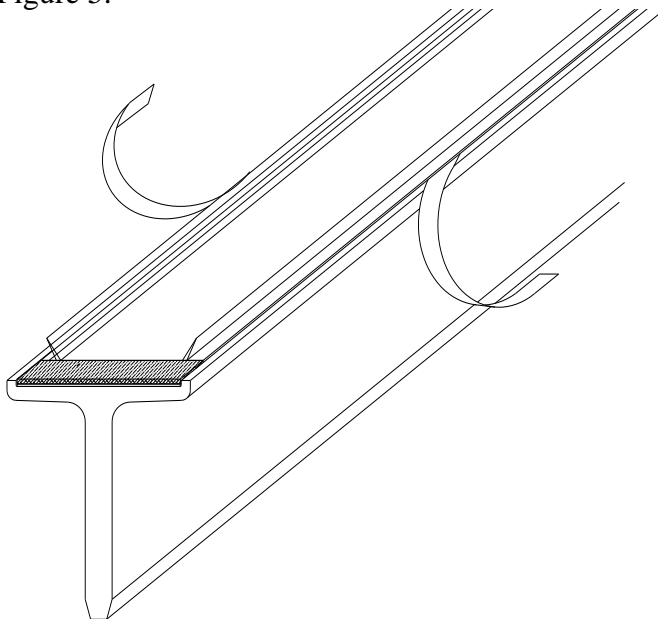
## Section C Run Assembly

1. Refer to the floor plan and select a starting point for assembling the runs (preferably on the end of a bank of runs at the intersection of the back panel and outside division panel), which is best for your application. Once selected, identify the exact location of the outside corner of that run. Mark both sides of the corner on the floor with a chalk line (or other preferred method) as shown in Figure 6. **Important:** Make sure that the two lines are perpendicular and in the exact final location desired for the corner of your kennel.
2. If your system is using Silvis Seals you must apply them to the Sanislope T's now. Orient the "T" as shown in Figure 4. Apply the end blocker by peeling off the backing strip and positioning the blocker at the end of the "T".



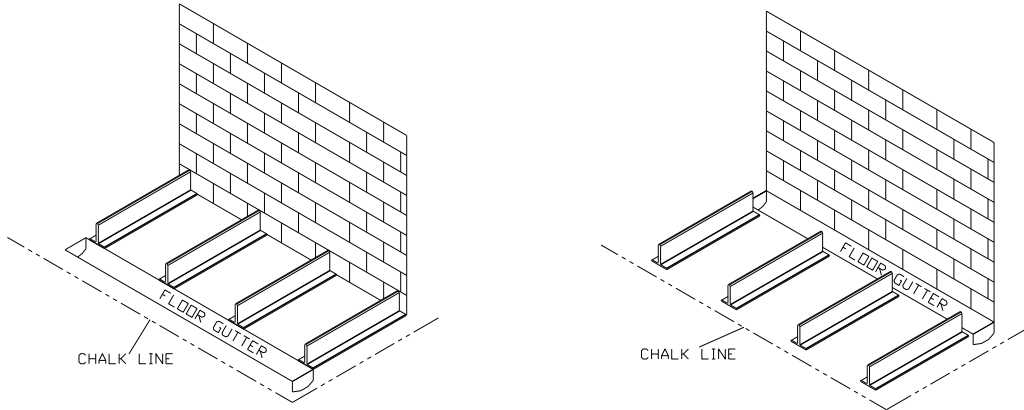
**Figure 4**

3. Apply the Silvis Seal to the "T" by removing approximately 2 ft. of backing tape. Starting at the end blocker, apply the Seal to the recessed channel in the "T" being careful to orient the Seal in line with the "T". Lay the rest of the Seal in the recessed channel. Carefully pull the remaining backing tape from the "Seal" and using light pressure adhere it to the aluminum as shown in Figure 5.



**Figure 5**

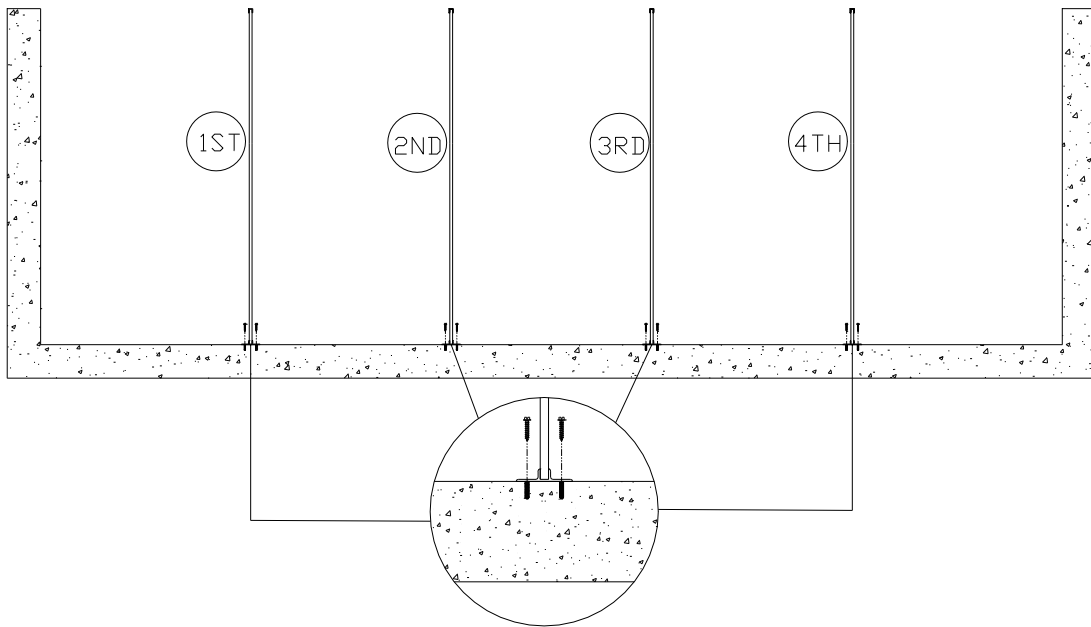
- Layout the “Sanislope T” sections approximately where they will lie on the final floor plan as shown in Figure 6. **Note: be sure that the end blocker that was installed in step 2 is at the outside or gate end of the run.** **Optional:** This system is designed to function equally well whether it is fastened to the floor or not. If you do not want to fasten it the floor skip to step 6; otherwise proceed with step 5.



**Figure 6**

- Using the 5/16” drill bit, pre-drill the “Sanislope T’s” for the outside division panels only, as shown in Figure 14. These holes will be used later to anchor the system to the floor.
- Using the floor plan, layout and mark the wall on which the division panels will be mounted with the centerlines of each panel. Be sure to mark the wall above where the panel will be mounted and visible enough to see easily.
- Starting from the point you selected in step C-1 place the first “outside division panel” on the corresponding “Sanislope T”. See Figure 7 for the sequence in which to assemble the panels. Orient the first specified “division panel” against the wall as shown in the exploded view of Figure 7 so that it is centered under the mark applied in section C-4

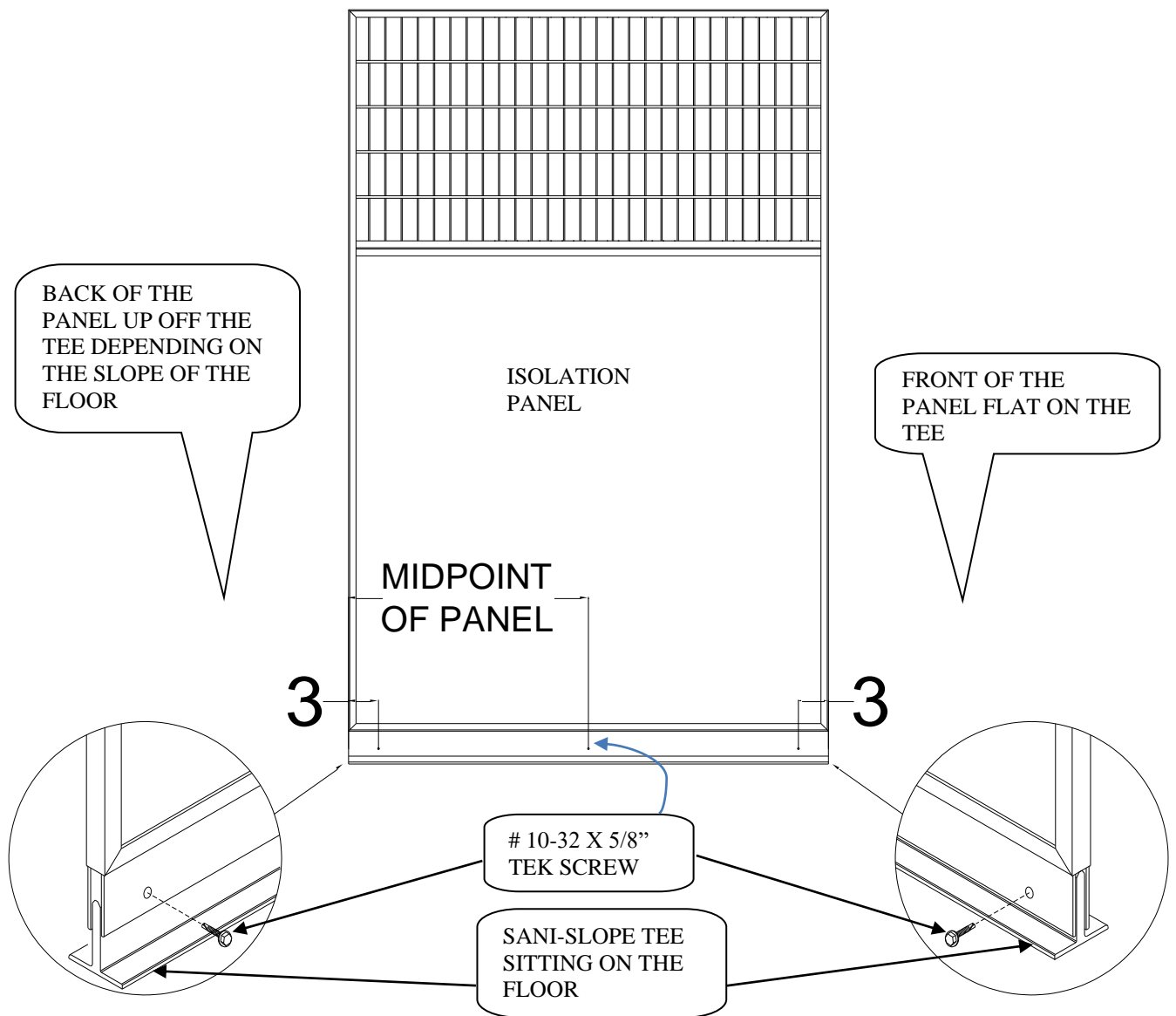
**Figure 7**



8. Using a level, plumb the panel. Push the flange of the panel tight against the wall. Using the pre-punched hole in the back flange of the division panel as a template, mark the wall through each hole. When all the holes are marked set the panel aside
9. Drill a 3/16" hole at least 1-1/4" deep at each point mark in step C-6.
10. Realign the panel over the holes and using 1/4" X 1-1/4" hex head Tapcon screws (not provided), apply a screw in every hole in the back flange of the division panel.
11. Repeat steps C-6 through C-9 to assemble all of the division panels to the wall.
12. Repeat Steps B-1 through C-10 for all other banks of runs.

### **Section D Leveling the System**

1. Using a hammer, tap all of the "Sanislope T's" on the front end of the run, back until they are flush with the front edge of the division panel as shown in Figure 8.
2. While the panels remain level, apply downward pressure to the Sanislope T, drill a 11/64" hole at least 1/2" deep, through the "Sanislope "H" at the bottom of the division panels into the "Sanislope T", as shown in Figure 8. After each hole is drilled, drive a #10-32 x 5/8" TEK screw into the hole. Spraying a little WD40 into the hole before driving the screws will simplify the process. (**NOTE:** if your system is using the Silvis Seal, it is the downward pressure on the Sanislope Tee that ensures the Silvis Seal performs properly.)
3. Repeat step D-2 for all screw locations shown on Figure 8 for both division panels.
4. Repeat steps D-1 through D-3 for all remaining division panels following the same sequence used to assemble the panels as shown in Figure 7. Continue the leveling process for all runs and or banks of runs.



**Figure 8**

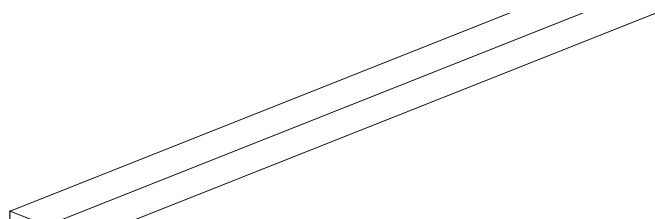
**Section E**

**Gate / Stall Front Hanging**

Your system may include Chainlink or Aluminum Framed Stainless Steel gates or stall fronts or both. Use the appropriate instructions for hanging your gates and or stall fronts.

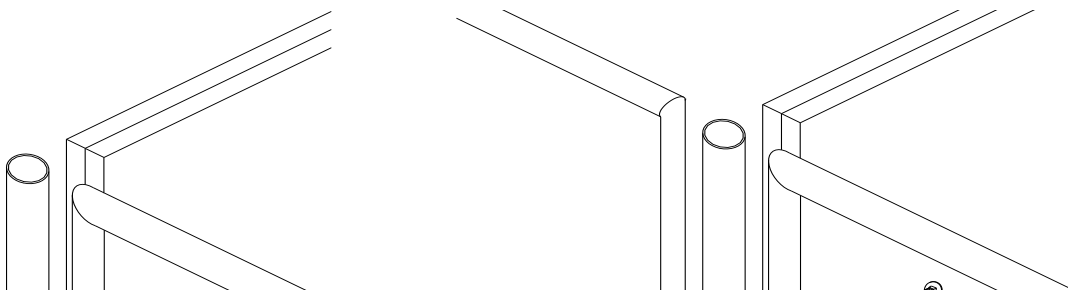
**Chain link Gates / Stall Fronts**

1. Attach the filler pipes to the front end of each division panel with two Square-Round clamps (it takes two halves to make up one clamp) approximately 6" from either end of the filler pipe using the 5/16" x 1-3/4" carriage bolts and 5/16" nuts provided as shown in Figure 9.



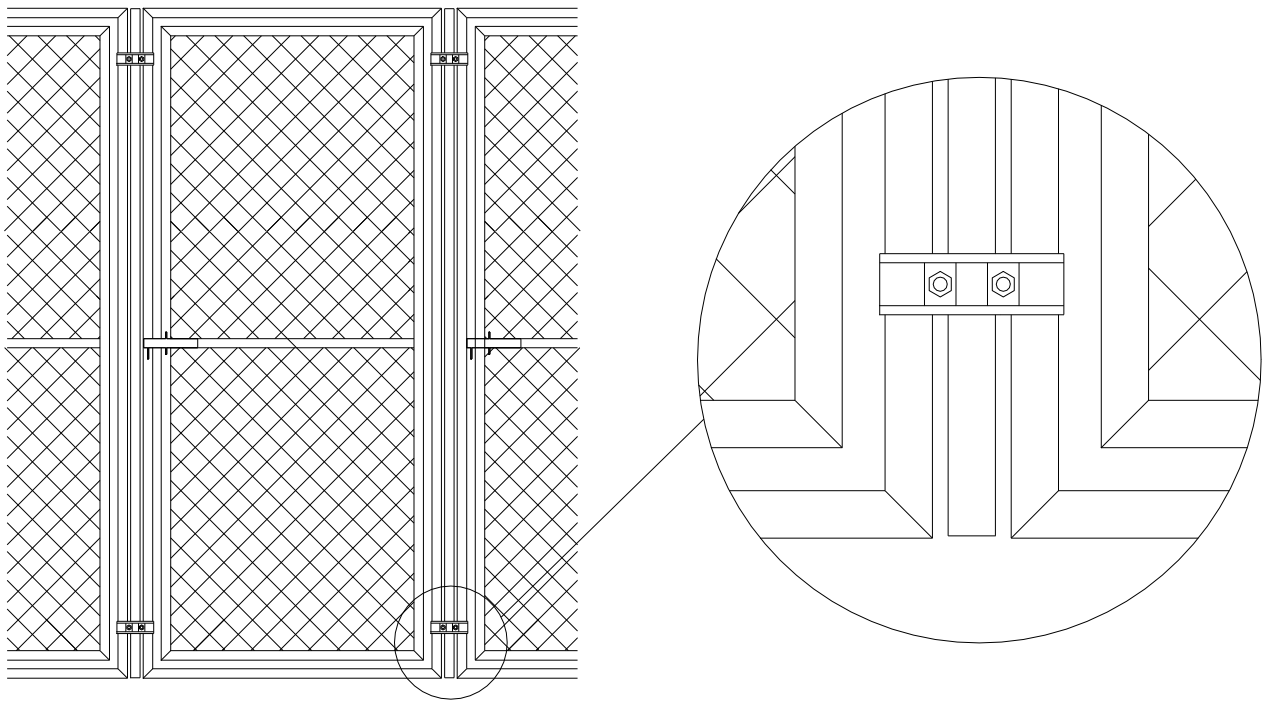
**Figure 9**

2. Attach the gate / stall front on the front of each run between the filler pipes with two clamps on each side using the 5/16" x 1-1/2" bolts and nuts provided as shown in Figure 10. Note: It takes two halves to make up one clamp. Attach gates / stall fronts to outside division panels using "panel clamps". All other gates / stall fronts will use "triple clamps". **To help ensure the safety of the animals the round head of the bolt should be assembled toward the inside of the run.** Note: The triple clamps attach two gates / stall fronts together. Therefore, you will have to hang two gates / stall fronts at the same time (see Figure 11).
3. Adjust the gate latch following the instructions in section G, "Gate Latch Adjustment".





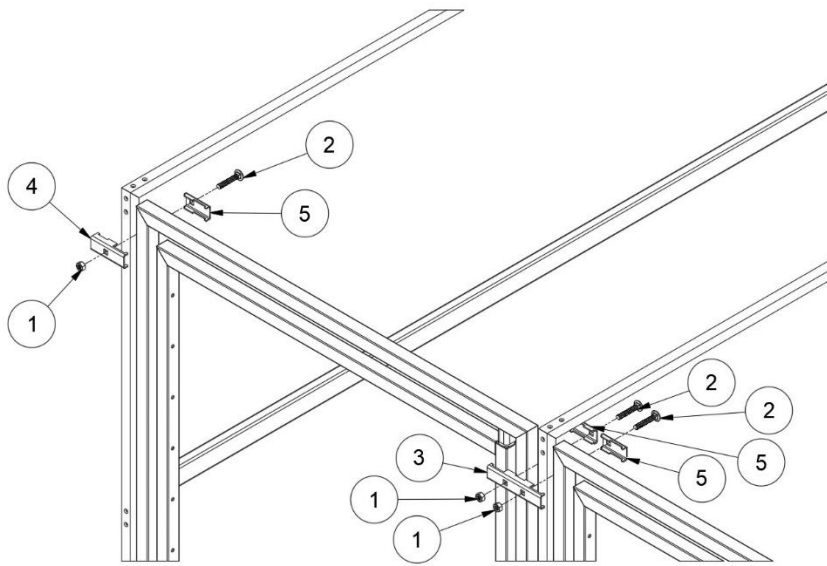
**Figure 10**



**Figure 11**

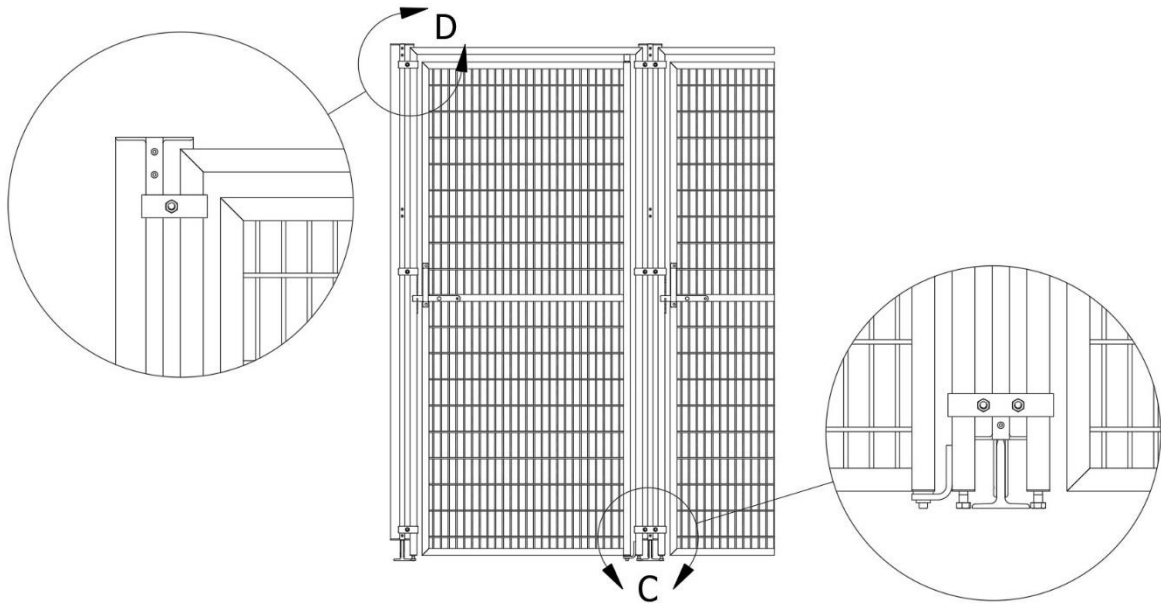
### **Stainless Steel Gates / Stall Fronts**

1. Attach the gate/stall front on the front of each run between the division panels with three clamps on each side using the 5/16" x 1-3/4" bolts and nuts provided as shown in Figure 12. Note: It takes two halves to make up one clamp. Attach gates/stall fronts to outside division panels using "square – 1" panel clamps". All other gates/stall fronts will use "square – 1" triple clamps". **To help ensure the safety of the animals the round head of the bolt should be assembled toward the inside of the run.** Note: The triple clamps attach two gates/stall fronts together. Therefore, you will have to hang two gates/stall fronts at the same time (see Figure 13).
2. Adjust the gate latch following the instructions in section G, "Gate Latch Adjustment".



Parts List		
ITEM	PART NUMBER	DESCRIPTION
1	424	5/16-18 SS nut
2	1771	5/16-18 x 1.75" SS carriage bolt
3	8081	1in to 0.75in_Triple Gate Clamp
4	8082	1in to 0.75in_Double Gate Clamp
5	8083	1in to 0.75in_Single Gate Clamp

**Figure 12**



**Figure 13**

This Mason system is designed to work equally well whether it is anchored to the floor or not. If you desire to anchor it to your floor proceed with Section F otherwise skip to Section G.

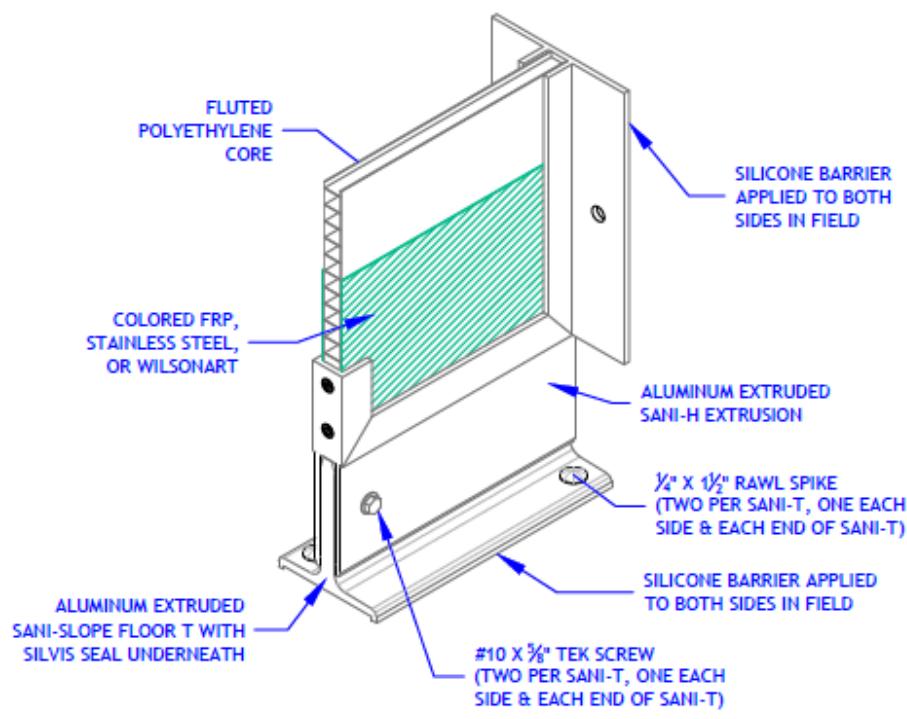
### Section F

#### Anchor System to Floor

**Important:** Before anchoring your system to the floor verify the entire installation is where you want it, square to the lines marked in step C-1 and leveled. Once you have verified this, you can anchor the “Sanislope T’s” on the outside division panels to the floor using the following steps:

1. Using the holes you drilled in step C-3 as a template, drill a 1/4" hole using a hammer drill, with a 1/4" masonry bit to a minimum of 1-1/4" deep.
2. Insert a 1/4" x 1-1/2" Rawl Spike provided into the hole and drive it in with a hammer until the "Sanislope T" is tight against the floor and the head of the Rawl Spike is tight against the "Sanislope T".
3. Repeat steps F-1 and F-3 for all hole locations shown in Figure 14.
4. Repeat steps F-1 through F-4 for all outside division panels.

**DETAILS OF ALUMINUM FRAMED SANI-KENNEL PANEL**



**Figure 14**

**Section G**

**Sealing**

1. Clean along the edge of all of the “Sanislope T’s” where they come in contact with the concrete using denatured alcohol applied to shop rag.
2. Apply a thin bead of sealant provided along the seam created between the “Sanislope T” and the concrete as shown in Figure 14 above.
3. **If your system is built with Stainless Steel or Galvanized Steel panels you will need to seal the perimeter of the stainless steel on both sides of the panels. Apply a thin bead and wipe away excess with denatured alcohol applied to a shop rag. Refer to Figure 15.**

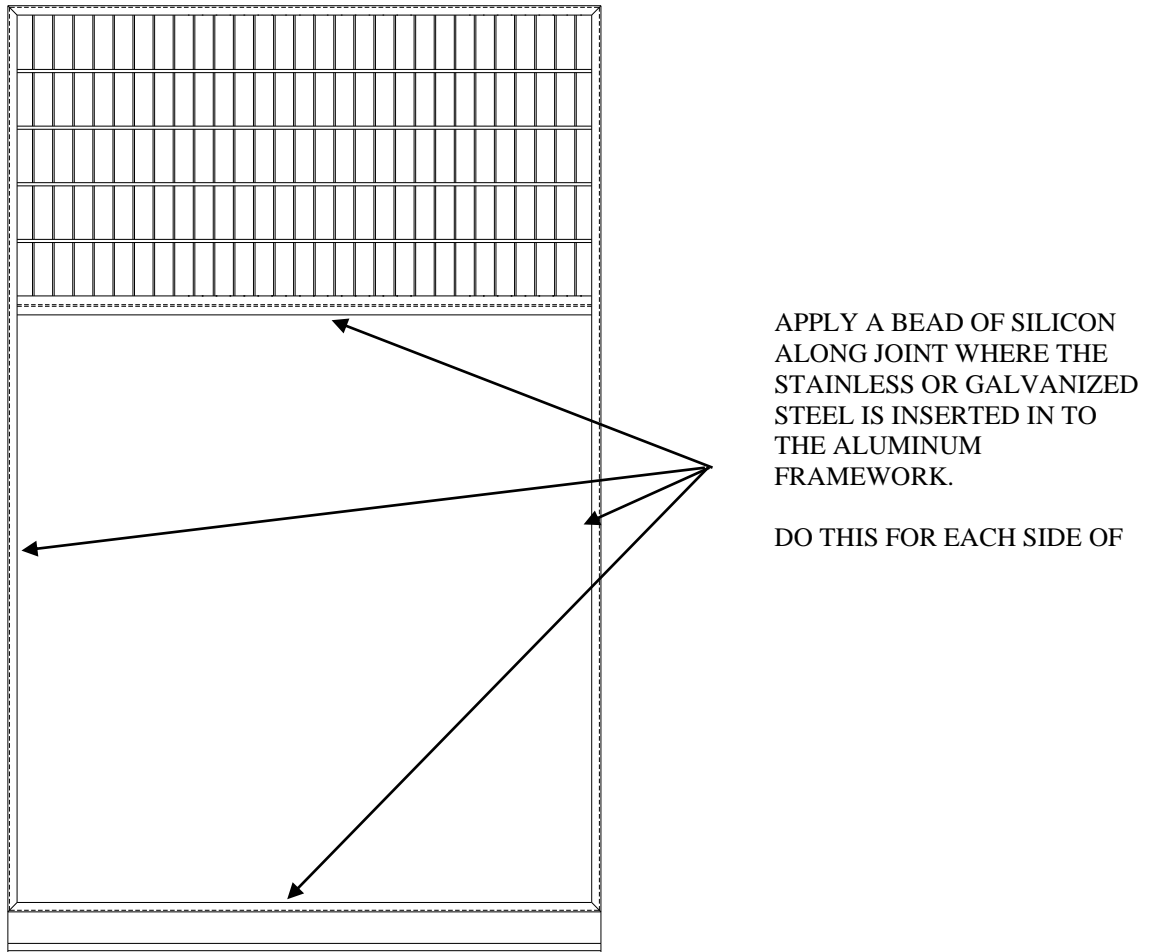


Figure 15

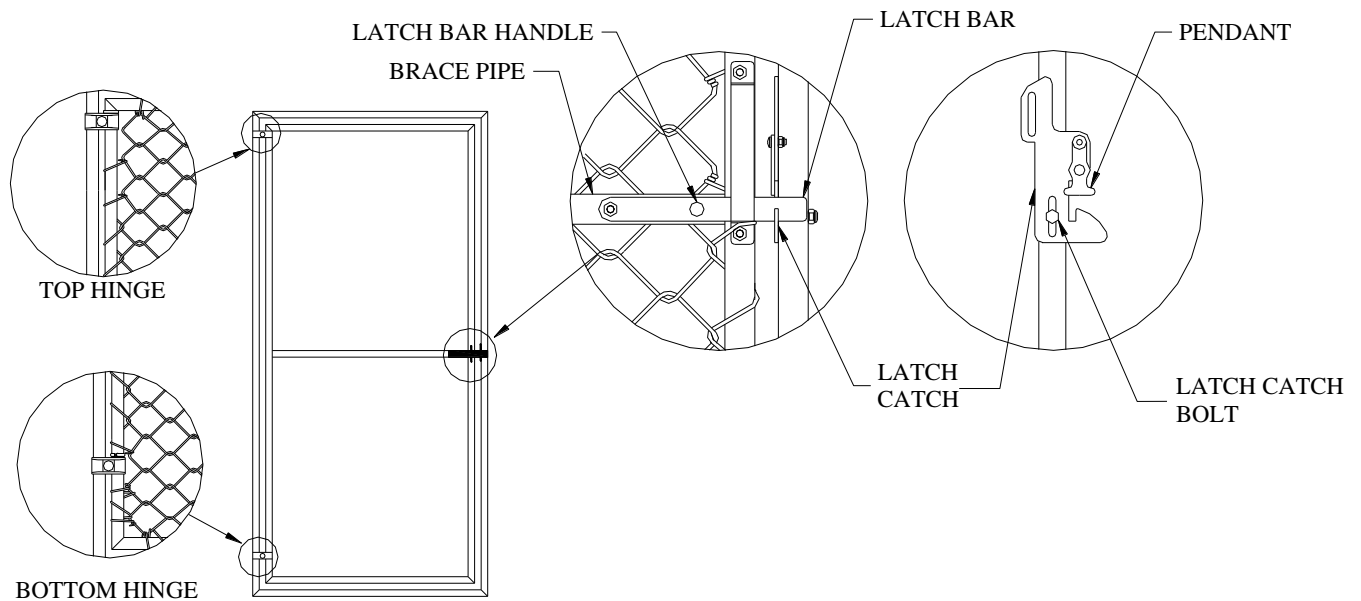
## Section H Gate / Stall Front Adjustment

During shipment and installation, gate assemblies may be forced out of adjustment. If your gate does not latch automatically when pushed closed, the latch can be adjusted by following these instructions.

### **Chain link Gate / Stall Front** (Reference Figure 16)

During the following adjustment process you may need to move the wire mesh slightly. If necessary, use a small block of wood and hammer to tap the wire out of the way.

1. Loosen the latch catch bolt just enough to allow the latch catch to slide up and down.
2. Tap the latch catch up or down until the inside latch bar handle rests on the horizontal brace pipe and the latch bar rests in the bottom of the latch catch.
3. Check to insure the pendant swings freely. If it catches on the latch catch bolt or you've run out of adjustment in the latch catch slot you may have to raise the gate inside of its frame.
4. If the gate needs to be moved, loosen the top and bottom hinge bolts and raise (or lower) both the gate and the top hinge as needed then tighten both hinge bolts.
5. Re-adjust the latch catch.
6. Tighten latch catch bolt.



**Figure 16**

### **Stainless Steel Gate / Stall Front** (Reference Figure 17)

1. Loosen the latch catch bolts just enough to allow the latch catch to slide up and down.
2. Tap the latch catch up or down until the inside latch bar handle rests on the inside of the keeper and the latch bar rests in the bottom of the latch catch.

3. Tighten latch catch bolts.

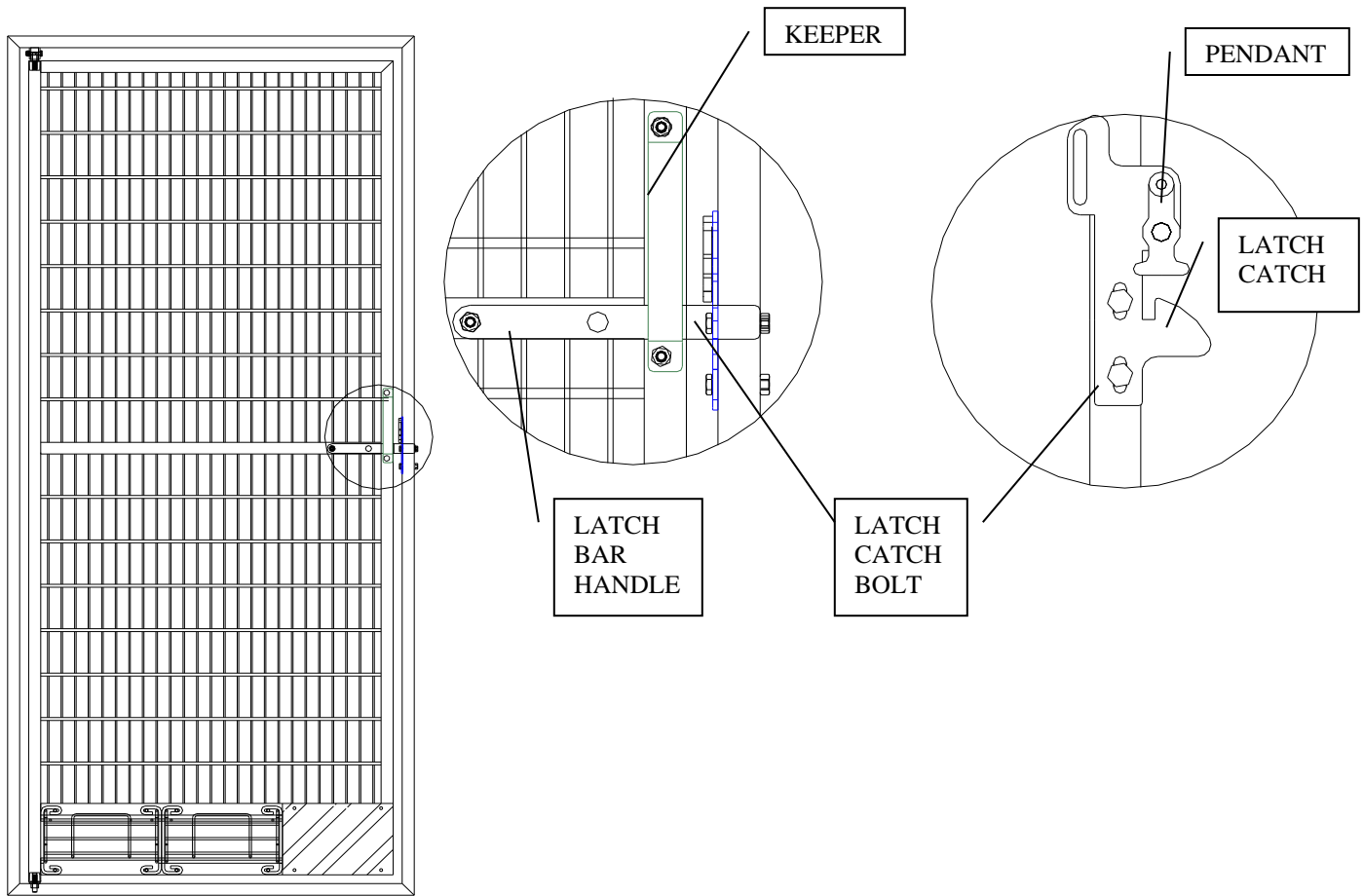


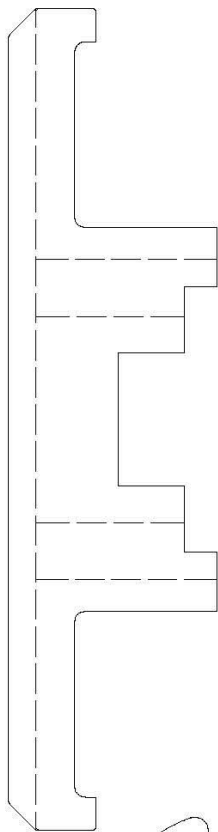
Figure 17

### Maintenance

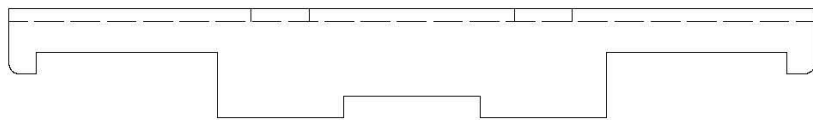
Over time, your Mason kennels might require adjustments, lubrication, or replacement parts in order to remain in top working condition. We recommend a yearly maintenance schedule to lubricate door hinges, adjust gate locks and any other moving parts. A standard, industrial grease works well. If your kennels should need any replacement parts, our professional sales engineers will be happy to review your original order and assist you.



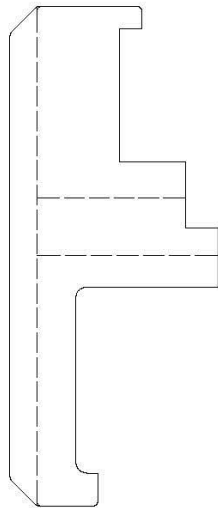
TRIPLE CLAMP - 1"  
#3120



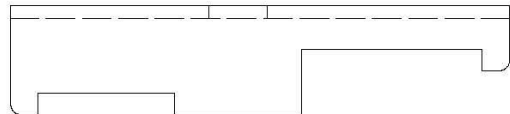
TRIPLE SS CLAMP - 1"  
#8081



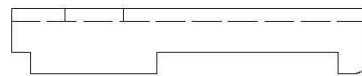
DOUBLE CLAMP - 1"  
#3119



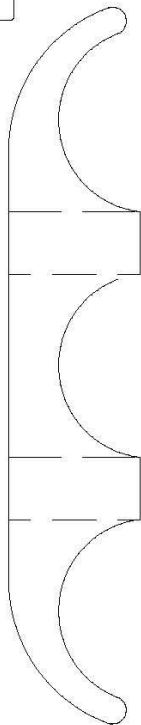
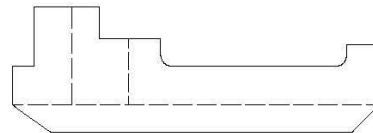
DOUBLE SS CLAMP - 1"  
#8082



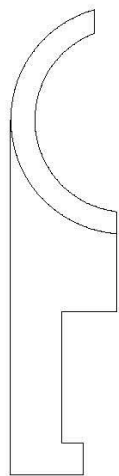
SINGLE SS CLAMP - 1"  
#8083



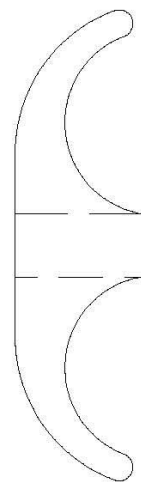
SINGLE CLAMP - 1"  
#3118



TRIPLE CLAMP  
#328



SQUARE TO  
ROUND CLAMP  
#1468

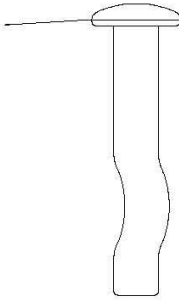


PANEL CLAMP  
#330





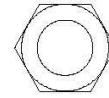
1/4" X 1 1/2"  
RAWL SPIKE.  
PART # 1400



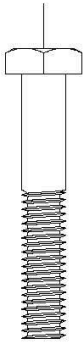
#12 X 1" SELF TAPPING  
SCREW HEX HEAD  
PART # 891



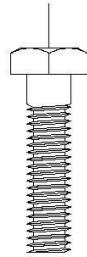
5/16-18 NUT  
PART # 423



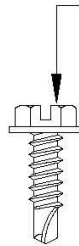
1/4-20 X 1-1/2 HHCS.  
PART # 369



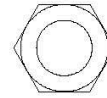
1/4-20 X 1" HHCS.  
PART # 366



#10 X 32 X 5/8"  
HEX WASHER HEAD  
TEK SCREW  
PART # 2222



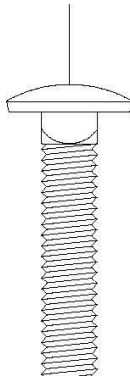
5/16-18 NUT  
STAINLESS STEEL  
PART # 424



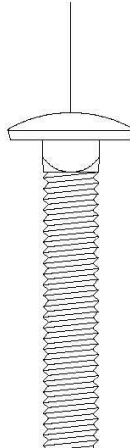
1/4-20 NUT  
PART # 422



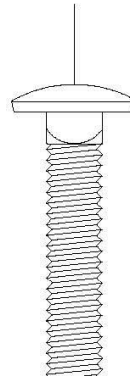
5/16" X 1-1/2"  
GALVANIZED  
CARRIAGE BOLT  
PART # 356



5/16" X 1-3/4"  
GALVANIZED  
CARRIAGE BOLT  
PART # 357



5/16" X 1-1/2"  
STAINLESS STEEL  
CARRIAGE BOLT  
PART # 1955



5/16" X 1-3/4"  
STAINLESS STEEL  
CARRIAGE BOLT  
PART # 1771

