



Installation Instructions for Cat Climbing Shelves

Introduction

Thank you for your investment in Mason kennels. We take great pride in providing our customers with the highest quality animal enclosures, combined with an enjoyable ordering experience. The following instructions will assist you with the proper assembly, cleaning, and maintenance of your Mason kennels. It is important to follow these guidelines in order to receive the best results and maximum life from your investment.

Assembly

The following pages will show you how to assemble your new Mason equipment. Since every order is custom built to your specifications, the instructions are designed to show the typical method used to assemble your Mason equipment. Due to the customization of each order, some of the demonstrations may not apply.

Hardware

Depending on your Kennel project, you may have some or all the following hardware:

Part #	Description	Part #	Description
4995	#8 x 1/2" Phillips Flat Head Screw	368	1/4" x 1-1/4" Hex Head Screw
8167	#6 x 1.25" Phillips Flat Head Screw	1344	1/4" x 1-1/4" Tapcon
8166	#6 x 5/8" Phillips Flat Head Screw	6966	Hanging Bracket
6965	Striplox Joint System	6967	16-3/4" Wall Rail

Note: Wall mounting hardware is shown only for reference purposes and is not included

Installation

Required Installation Tooling:

- #2 Phillips Screwdriver
 - Drill (Cordless)
 - #2 Phillips Bit
 - Ratchet Wrench
 - 5/16" Socket
- Level
 - Tape Measure
- 1/2" Combination Wrench
 - Pen/Marker

Section A

Box Assembly

1. To begin assembling your boxes layout the three panels. This includes the base, back, and top/sides. (See Fig. A.1) These panels will have pre-drilled holes which will be used to attach the hanging and Striplox™ brackets.

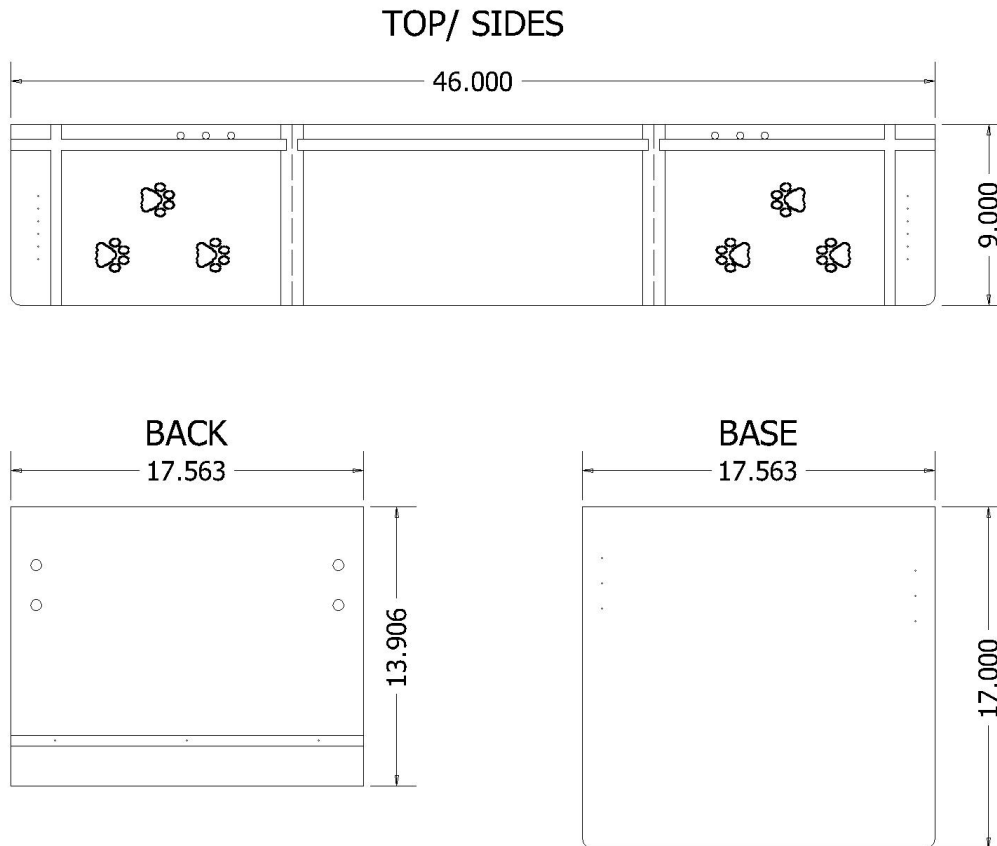


Figure A.1

2. Once all panels have been laid out, attach the Striplox™ Hooks to the top and base panel. Note that these should be overlap into one another once the boxes are assembled. Corresponding Hooks should be opposite of one another. (See Fig. A.2) Use the #6 x 5/8" Phillips Flat Head Screws to secure into predrilled holes.

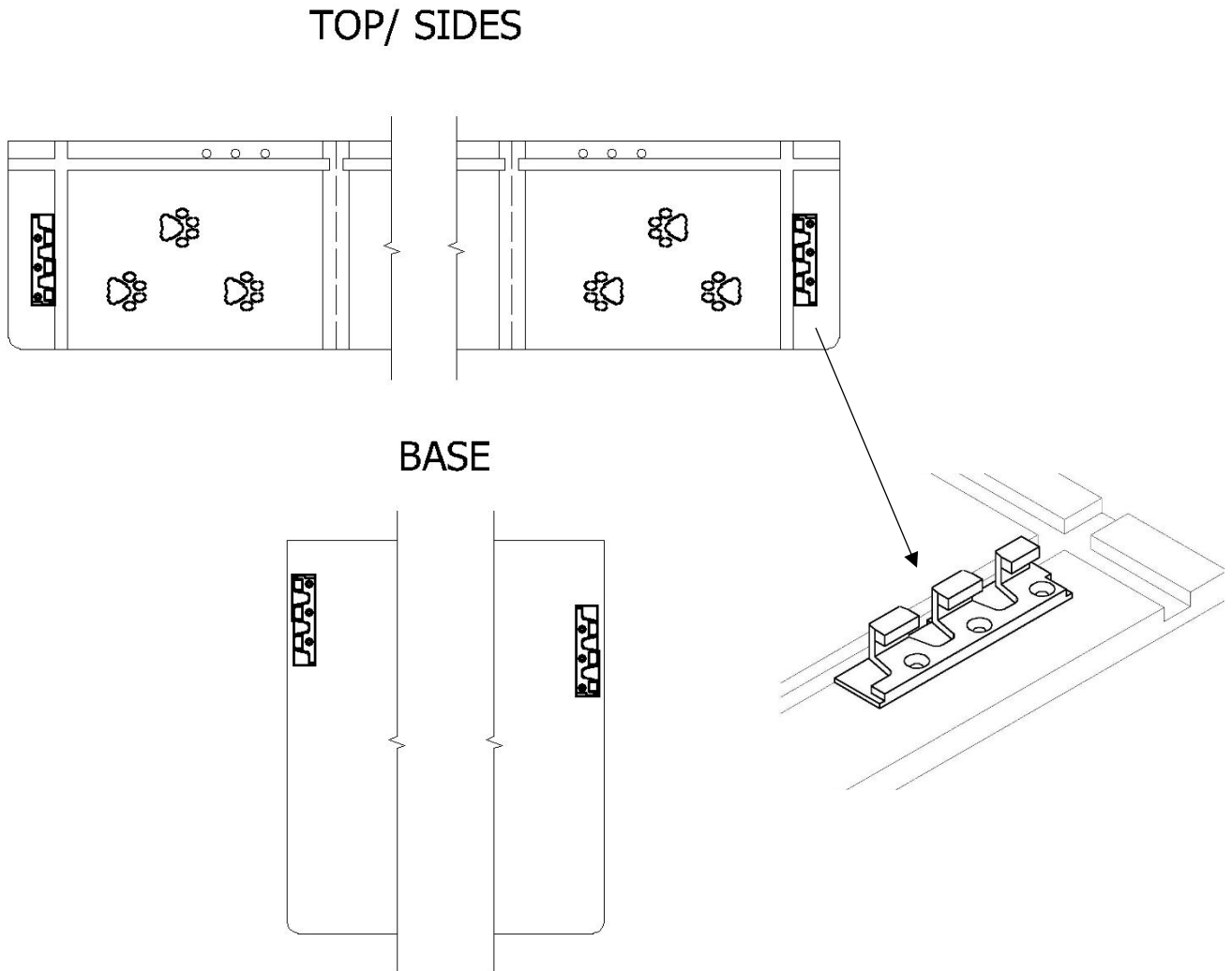


Figure A.1

3. Once all four Striplox™ Hooks have been installed, place the back panel into the slot of the middle of the top/side panel. The slot of the back panel should be at the top. With the back panel inserted, place the base panel into the slot of the back panel. The hooks should be towards the back panel. (See Fig. A.3)

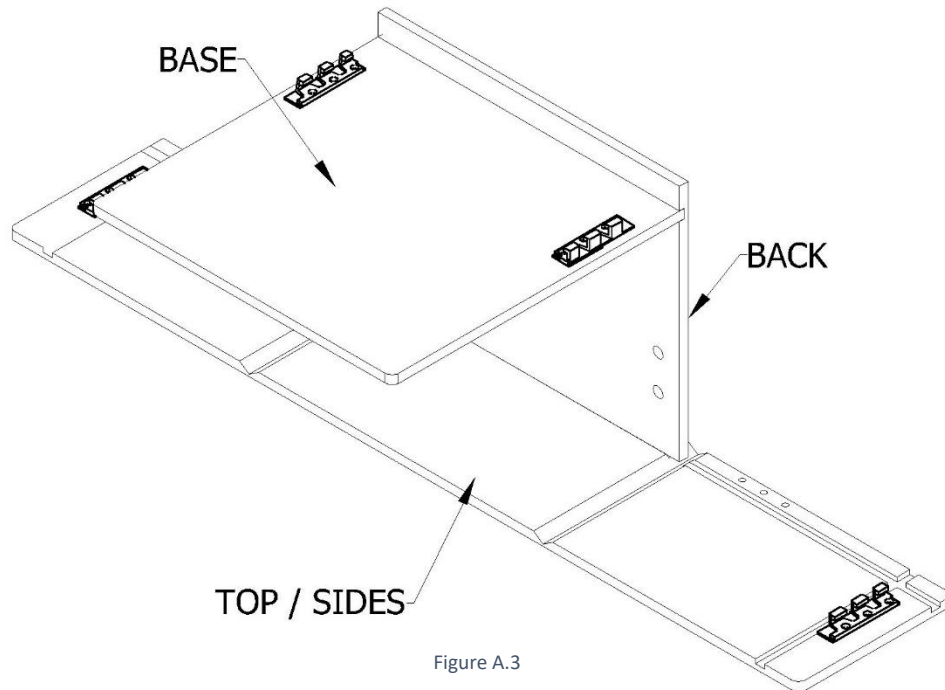
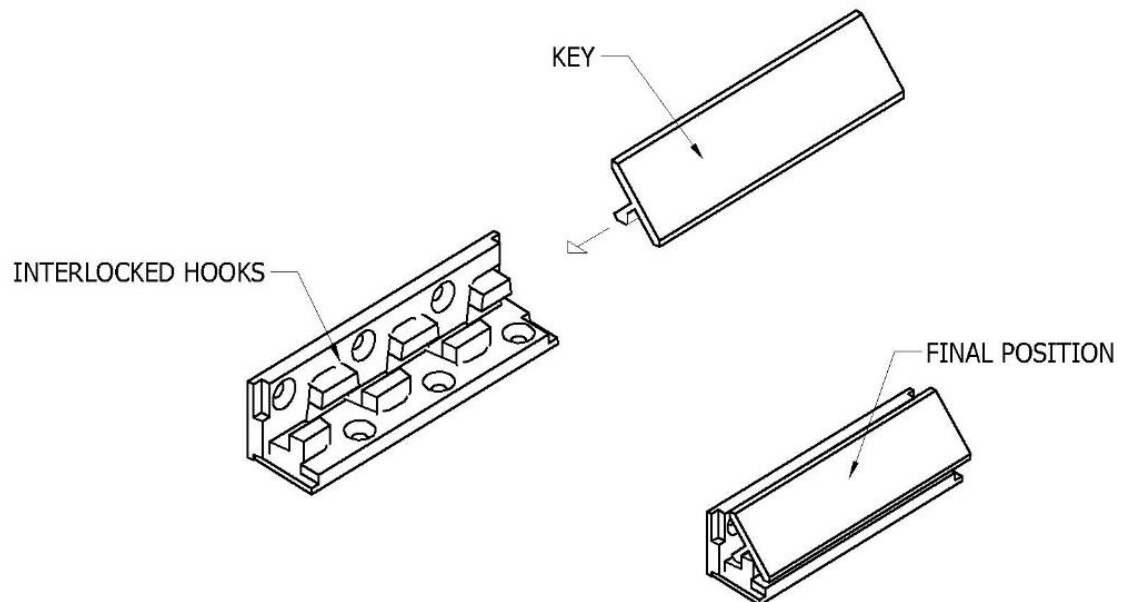


Figure A.3

4. While holding the back and base as shown in Figure A.3, fold the sides of the top panel upward. Once folded up, be sure that the hooks are interlocked. With hooks interlocked, slide in the key to lock the sides. (See Fig. A.4) If hooks do not interlock, remove screws and trying flipping hooks until properly aligned.



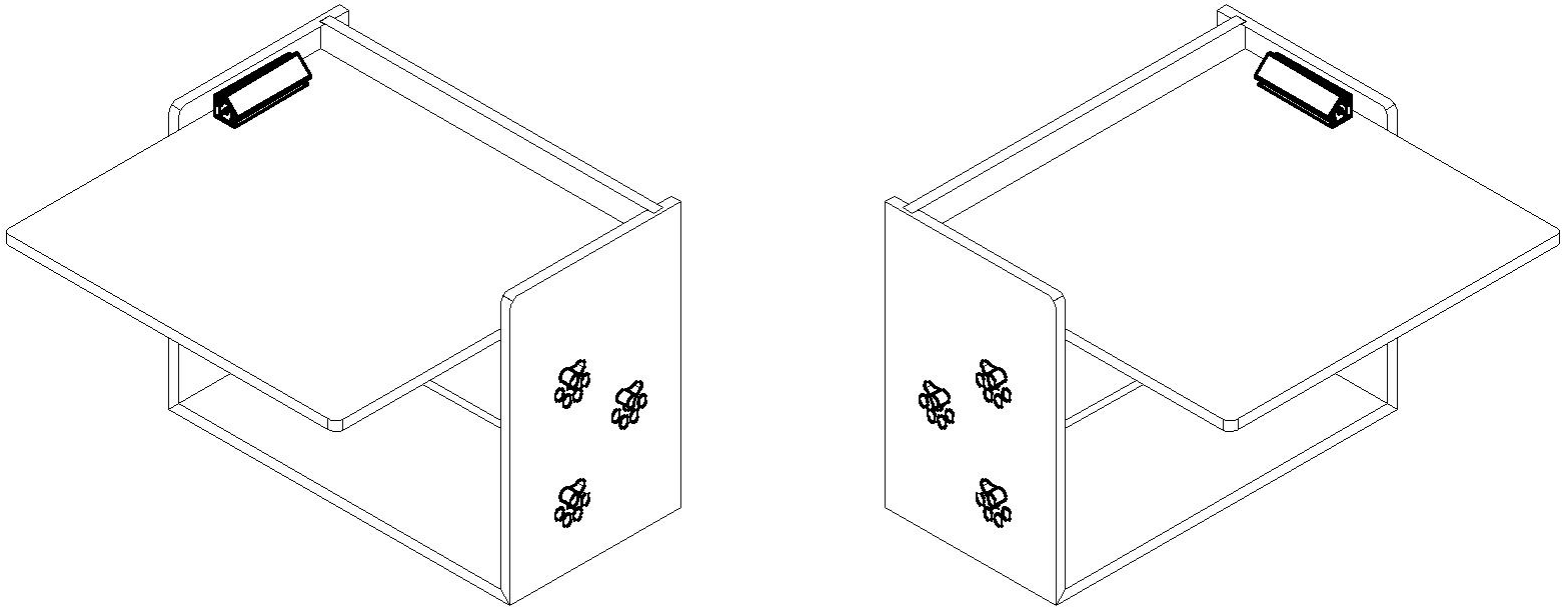


Figure A.4

5. Once locked, use three #6 x 1.25" Phillips Flat Head screws to secure the base and back panels together. (See Fig. A.5)

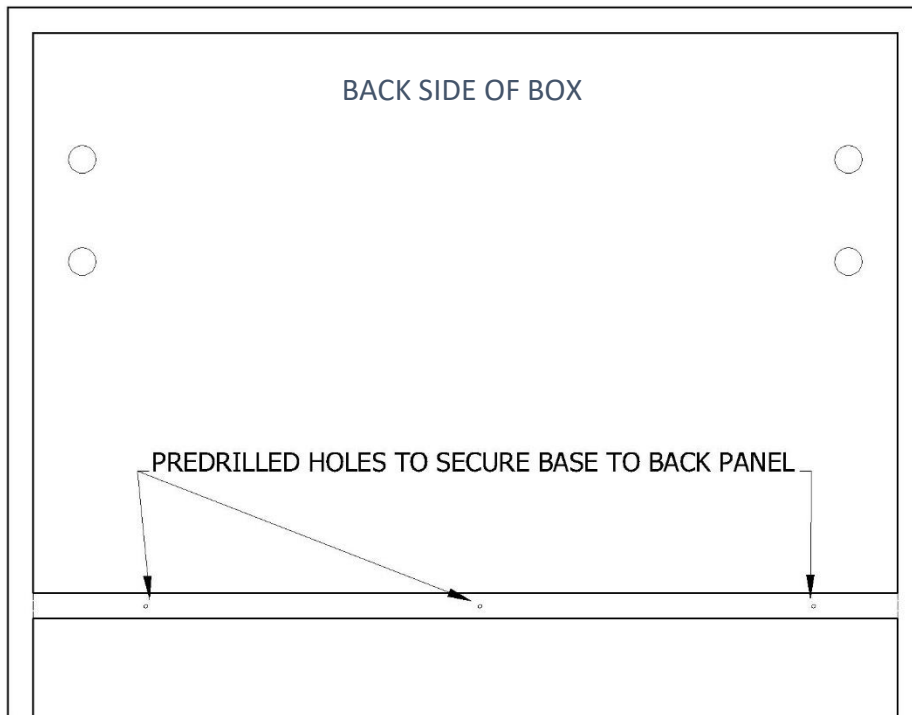


Figure A.5

6. Your box should now be completed and resemble the one shown in Figure A.6. Repeat steps 1-5 as needed to complete all boxes purchased.

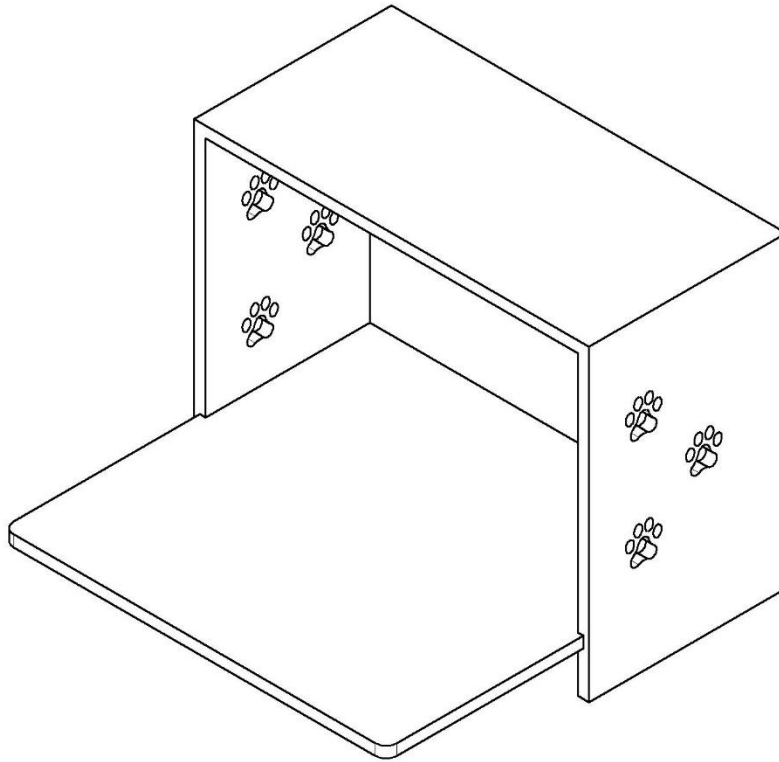


Figure A.6

Section B

Hanging Brackets

1. Locate the left and right side hanging brackets for each box. Insert the brackets into the back side of the box by inserting the three guide prongs into the predrilled holes along the sides. (See Fig. B.1) The use of a dead blow hammer may be needed to fully insert the brackets into the box. Once inserted properly, the tab along the bottom of the bracket should be flush against the side of the box.

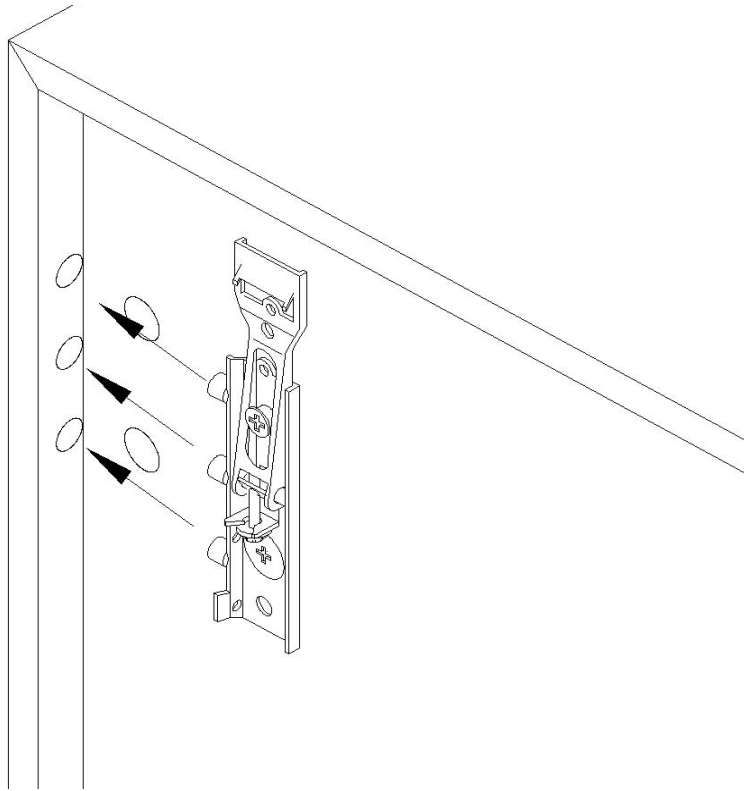


Figure B.1

2. Finish attaching the bracket using (2) #8 x 1/2" Phillips Flat Head screws along the face of the bracket. (See Fig. B.2) Once finished, repeat steps to attach the opposite side.

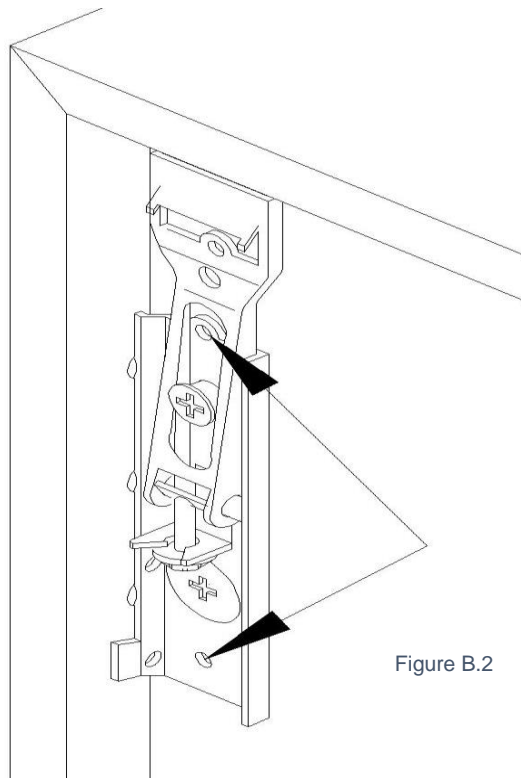


Figure B.2

- Once both hanging brackets have been installed, the phillips head adjustment screws should be visible through the holes in the back panel. (See Figure B.3) The adjustment screws will be used to level the box after it has been set on the wall rail.

FRONT OF BOX

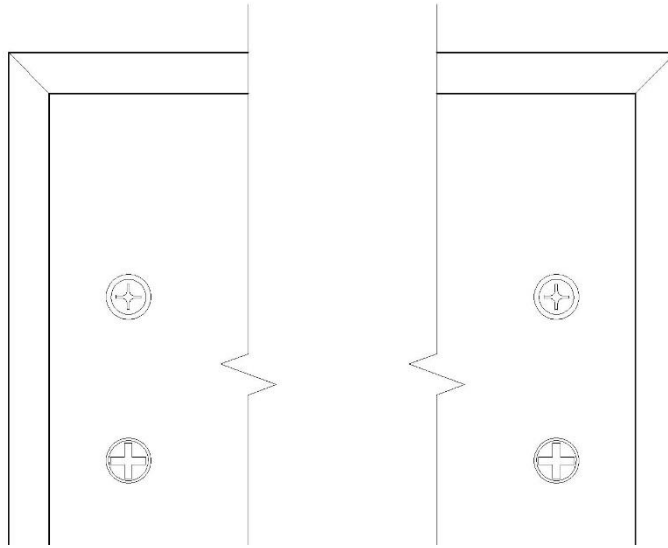


Figure B.3

Section C

Wall Rails

- Determine where the lowest box(es) will go. Using a box as a guide, mark the location of one of the upper corners along the wall. From this mark, measure down 1-1/4" and inward by 5/8" and mark. (See Fig. C.1)
- Place the top corner of a rail on the mark previously made. Using a level, level the rail and fasten to the wall using 3 screws per rail (Not Supplied). Hardware may vary depending on wall material, being either tapcons for concrete and

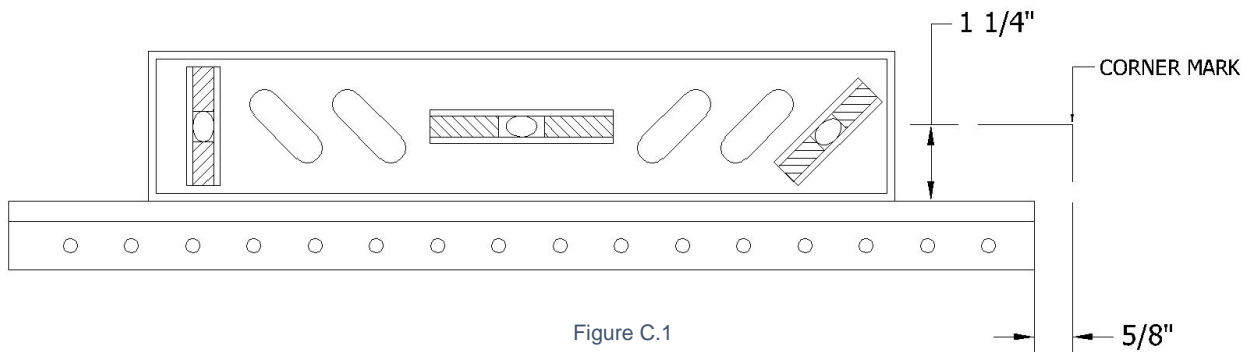


Figure C.1

masonry block or hex head screws for stud walls. Use hollow wall anchors if attaching to stud walls. The holes in the rail should be towards the bottom.

3. Once the first rail has been installed, continue by attaching the remaining rails in a stairstep pattern. Rails should be $12\text{-}7/8"$ apart vertically and $1\text{-}3/8"$ apart horizontally. (See Fig. C.2) Be sure all rails are level before tightening all hardware.

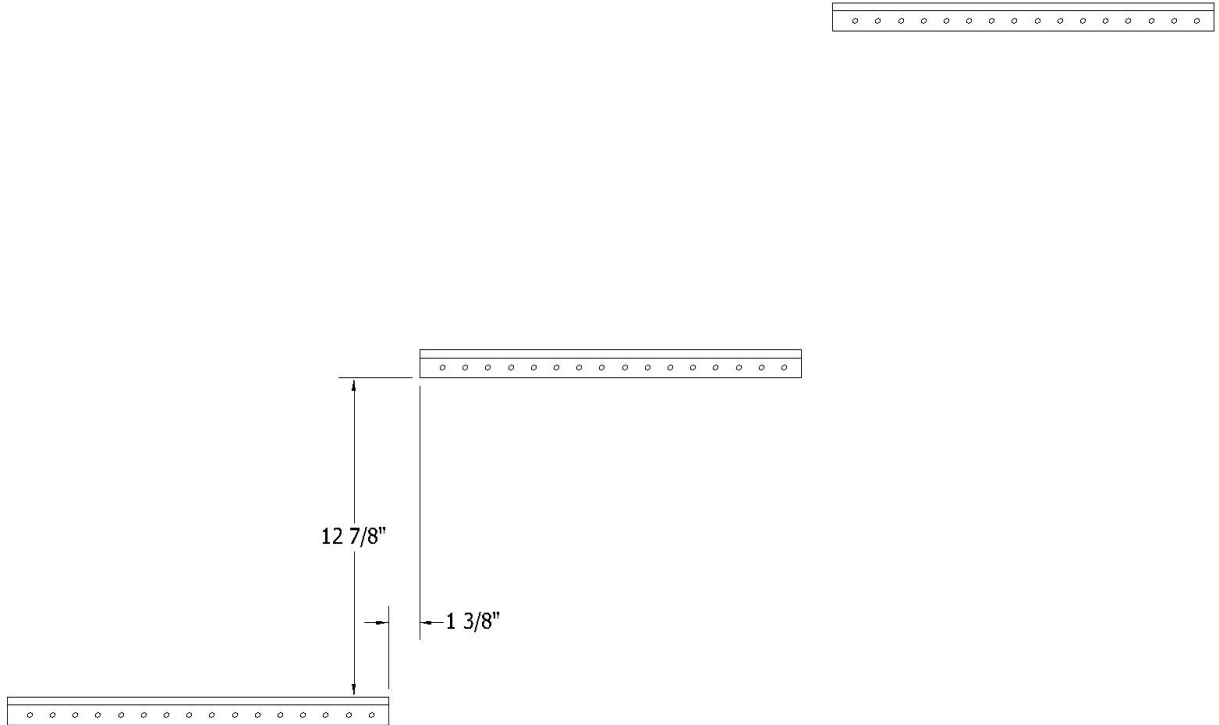


Figure C.2

4. Once all rails have been attached to the building wall, loosen all hanging brackets so that the bracket is sticking out away from the back of the box. Using a phillips head screwdriver, loosen the bracket by turning the upper adjustment screw counter-clockwise. Once both brackets have been loosened, hang the box from the rail. Once both sides have been hooked, tighten the hanging bracket by turning the upper adjustment screw clockwise. (See Fig. C.3) Repeat until all boxes are hanging from wall rails.
5. Once all boxes are firmly resting on the wall rails, use the lower adjustment screw to level the boxes. Turning the adjustment screw clockwise will lower the hanging bracket. (See Fig. C.3) Repeat until all boxes are level.

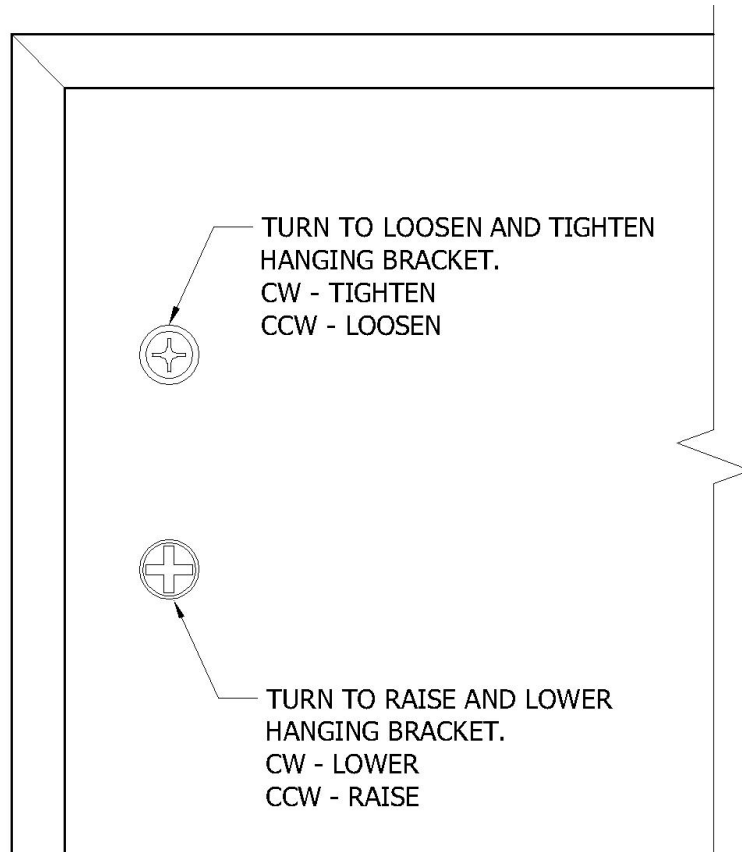
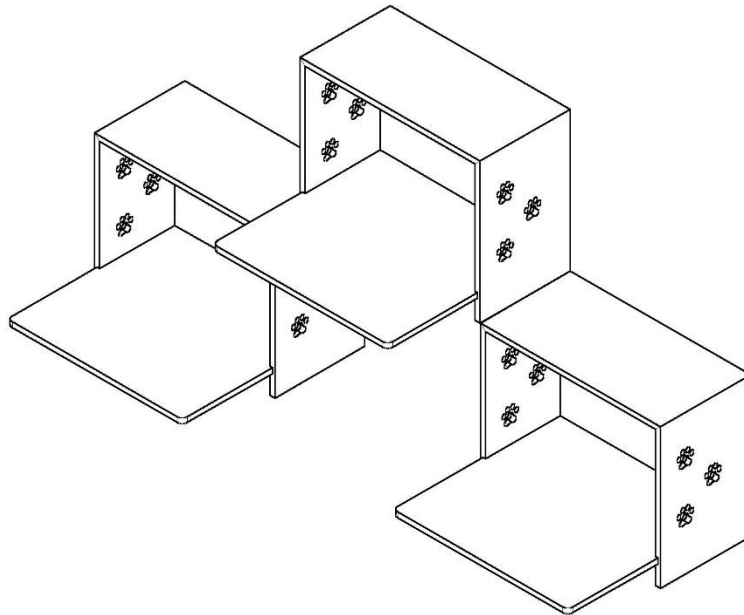


Figure C.3

6. Once all boxes have been installed you should have a stairstep pattern so that cats can climb freely between each box as shown below.



Section D

Maintenance

Over time, your Mason kennel might require adjustments, lubrication, or replacement parts in order to remain in top working condition. We recommend a yearly maintenance schedule to lubricate door hinges, adjust gate locks and any other moving parts. If your equipment should need any replacement parts, please contact our customer service department and they will be happy to assist you. For specific part numbers reference page one of this guide.