

Installation Instructions for Aluminum Gutter Covers mounted to FRP panels

1. Beginning from point on the back panel that is level with the front edge of the floor trench drain, measure up $5/8$ " and make a mark on the panel or wall. From the side of the division panel measure in approx. 4" and make another mark. Repeat for the opposite side of the run. See Figure 1.

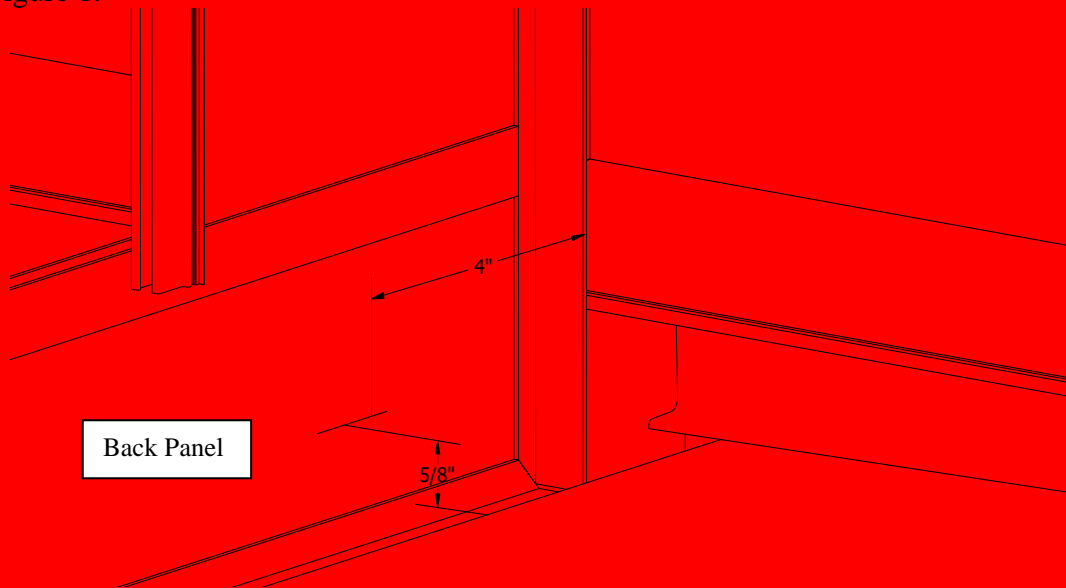


Figure 1.

2. Hold a support bracket so that the bottom edge and one side of the bracket is on the lines you marked in step 1. Mark the back panel for drilling through one upper hole and one lower hole diagonally across the brackets. (Note: only two holes are required to mount each bracket; the extra holes are to make it symmetrical for use on back to back runs.) Repeat for opposite side of the run. See Figure 2.

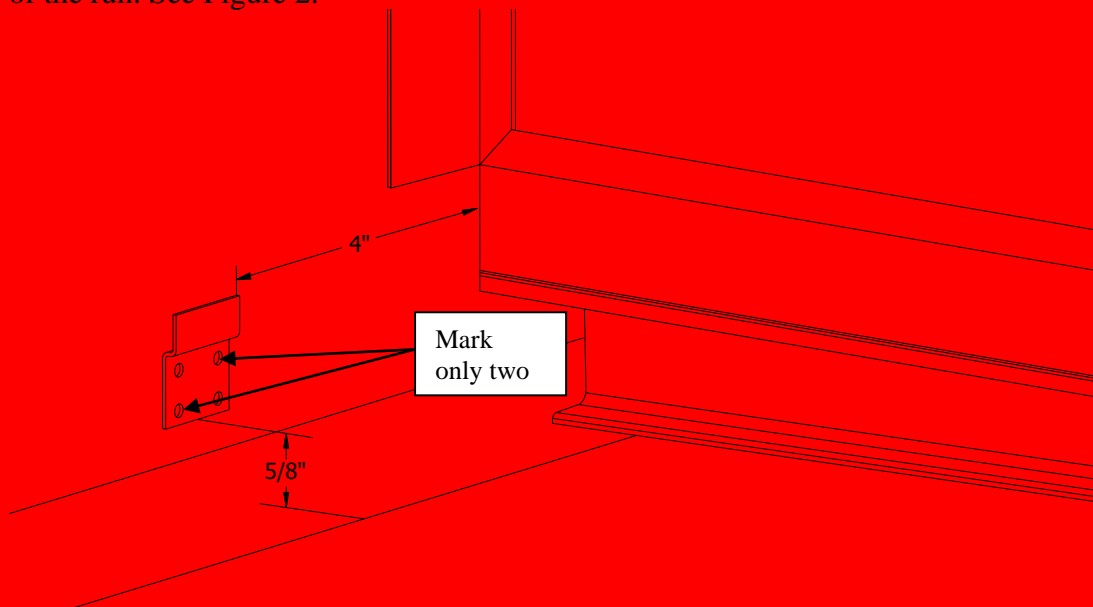


Figure 2.

- Using a 1/4" drill bit, drill (4) 1/4" diameter holes through the back panel on the marks made in Step 2.
- Attach the brackets to the back panels using 1/4"-20 x 1" bolts, 1/4"-20 Nyloc nuts, and 1/4" ID washers (for single banks only), (supplied) through the mounting holes in the support brackets. When attaching brackets to both sides of a back panel, see Figure 3. For a single bank of runs where brackets are only being applied to one side, see Figure 4.

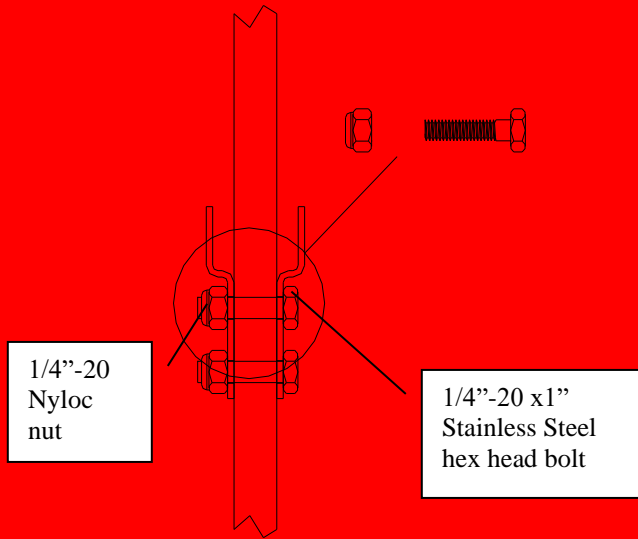


Figure 3.

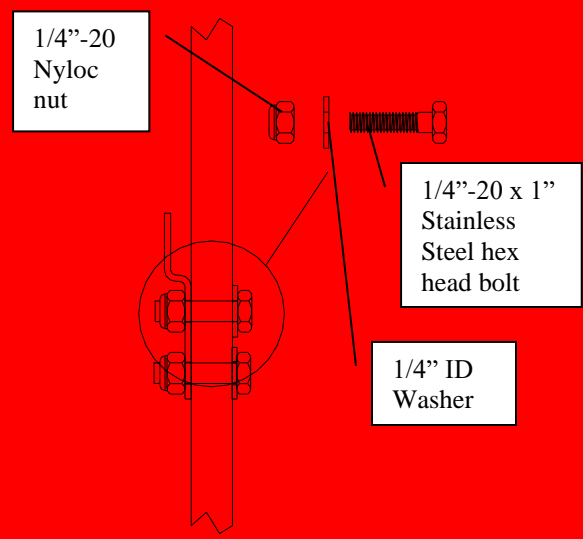


Figure 4.

- Place the gutter cover onto the brackets and lower until the rubber floor protectors touch the floor. See figure 5.

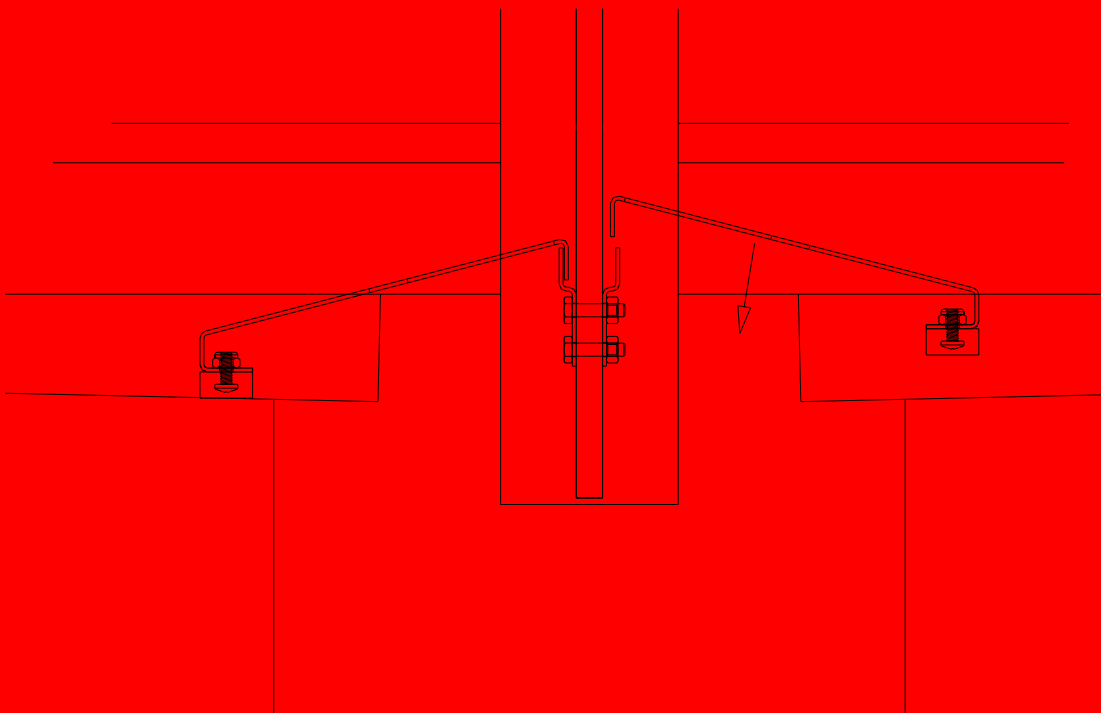


Figure 5.

- Beginning with the gutter covers in place measure in 5" from both division panels and up 1-3/8" from the top of the cover and make two marks on the back panel. See figure 6.



Figure 6.

- Using a 1/4" drill bit, drill (2) 1/4" holes through the back panel, one at each mark you made in step 6.
- Install the latch pendants as shown. Tighten the fasteners until the pendants can be rotated by hand and stay in the unlocked position without being held. Do not over tighten. See figure 7.

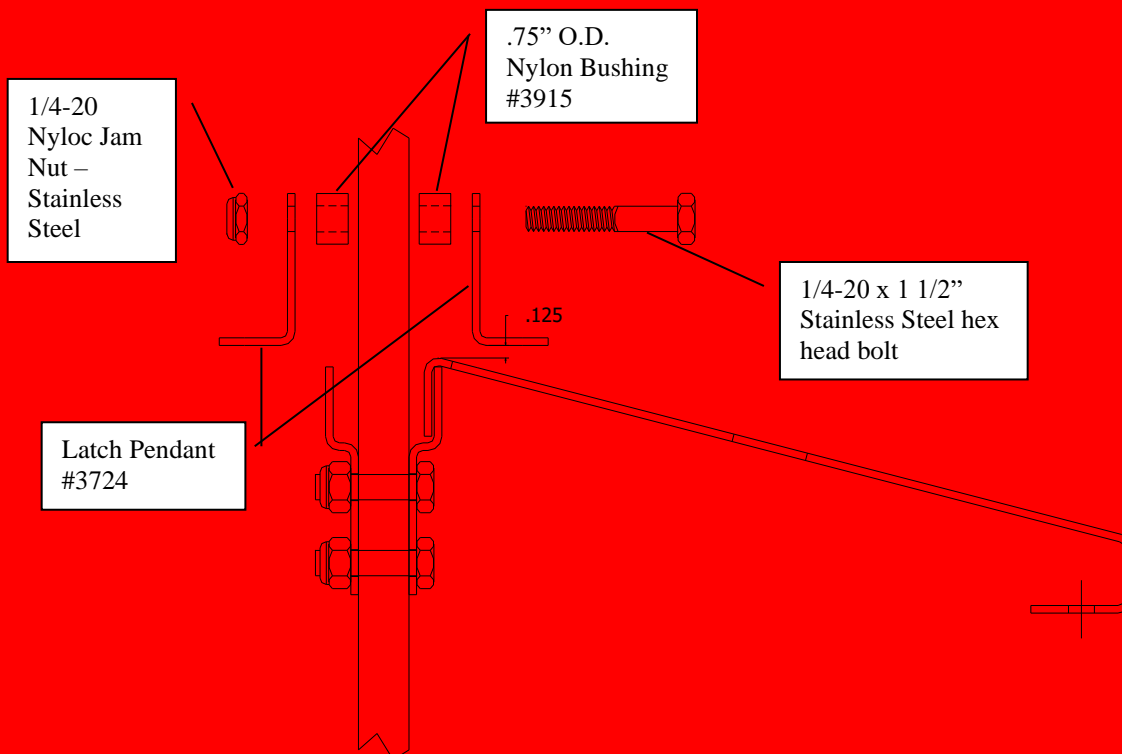


Figure 7.